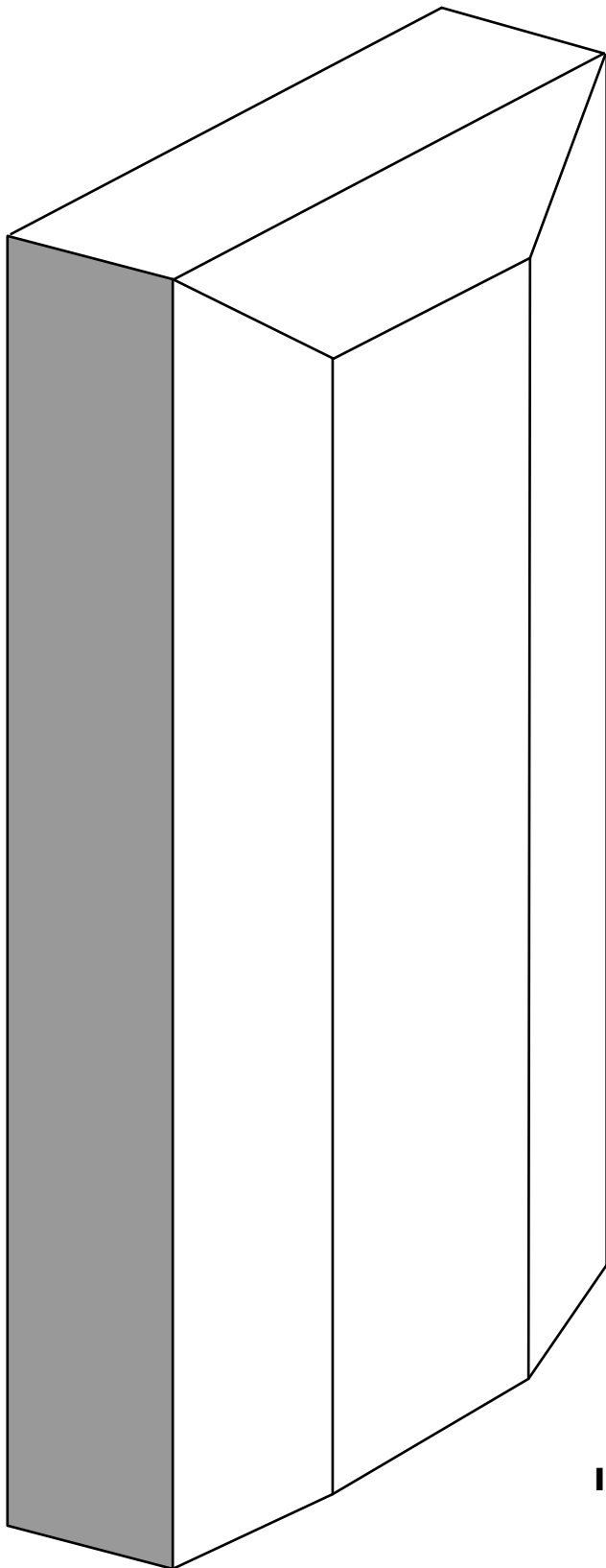


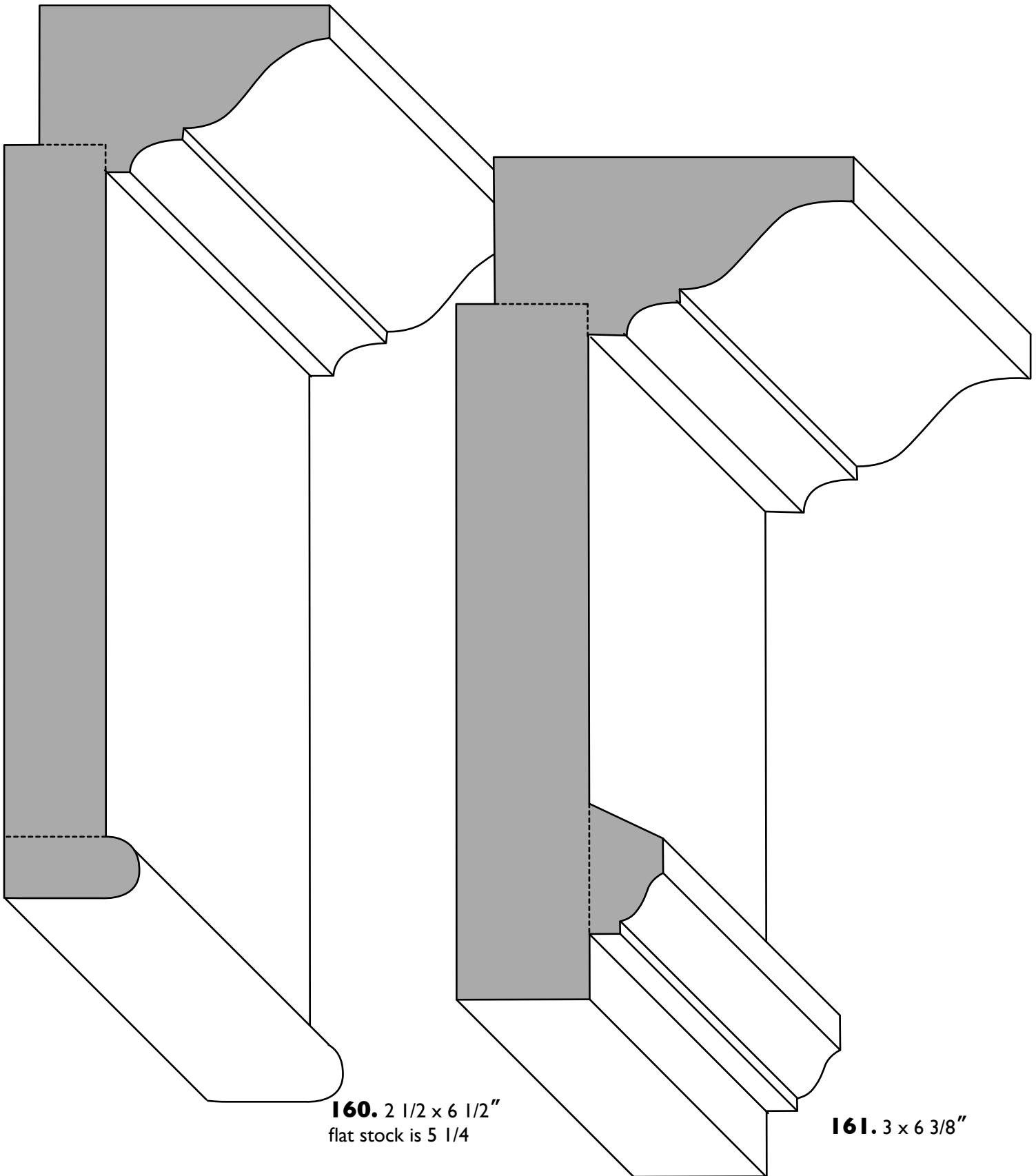
**I43 a** . 1 x 4 1/4 x 4 1/4"

**I43 b** . 1 x 5 x 5"



Note: We will mill plinth and cornerblocks to suit your choice of casing and baseboard dimensions

**I45.** 1 x 4 x 7"



**160.** 2 1/2 x 6 1/2"  
flat stock is 5 1/4"

**161.** 3 x 6 3/8"