

**OLD WORLD**  
**WOODWORKING & MILLWORK**

**Trim Catalogue**  
**2007 Edition**

## Contents

About Us

Terms and Conditions

Section 1	Casings
Section 2	Baseboards
Section 3	Plinth, Cornerblock
Section 4	Architrave
Section 5	Crown Moulding
Section 6	Bolections, Panel Moulding
Section 7	Bed Moulds, Quarter-rounds
Section 8	Chair Rail
Section 9	Doorstop
Section 10	Handrail / Porch Handrail
Section 11	Windowsills

Notes

## **About Us**

We specialize in high-quality traditional millwork for custom builders and old home reproductions.

Our rapid production and reasonable prices are combined with personalized service. All our profiles are based on historical millwork to match existing mouldings or to replicate an authentic look. We fill a wide range of customer requirements, from unique custom-designed doors, handrails and porch components like gingerbread and brackets to the finest architectural mouldings for homes or high-end commercial projects.

We also offer a service to design historic features to match old styles, or give new buildings an authentic “old” look.

## **Custom Mouldings**

*Low set up and tooling costs!*

We are specially suited for reproduction of your existing millwork. Our catalogue of stock items contains many commonly used historic mouldings. If you cannot find the moulding you need, we will be pleased to manufacture it by working with our many edge and centre profiles on standard bases.

## **Custom Knife Grinding**

We take pride in our ability to match existing heritage millwork and will grind knives to replicate any pattern or profile not in our catalogue. Call us for pricing, or send a sample of the moulding you want matched. We can work from tracings or paper patterns. (Knives remain the property of Old World Woodworking after your project is complete.)

## Terms & Conditions

### Set-Up Charges on Custom Mouldings:

For smaller quantities of mouldings, a set-up charge is necessary to offset manufacturing costs. There is no set-up charge for runs over 300 feet.

### Length:

All lengths are random and vary from three to 14 feet. We purchase our wood in random lengths and cut the longest length possible, attempting to match lengths to each moulding according to use. When ordering random lengths, be sure to include 10%-15% extra footage for waste since shortages cannot be easily filled without additional time and set up charges.

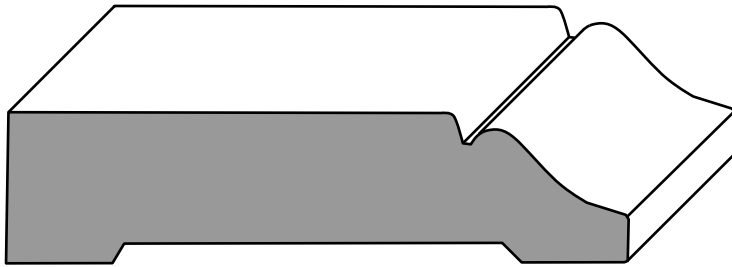
On larger volume orders with a wide variety of cuts, you can expect an excellent yield. We can cut specific lengths for an additional 15% surcharge.

Board sizes are available up to 12" wide, in 4/4, 5/4, 6/4 and 8/4 thicknesses.

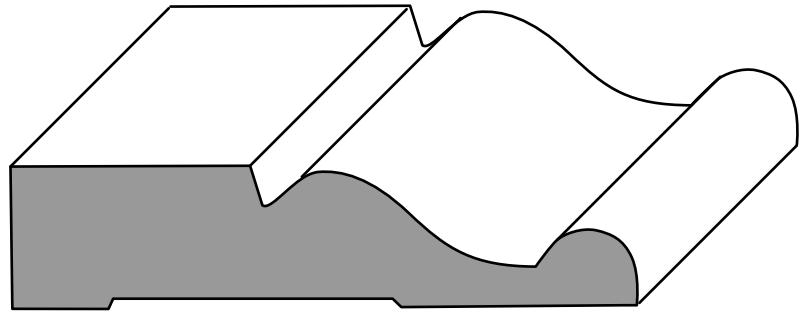
**Return Policy:** Orders cannot be cancelled once manufacturing has begun. No returns will be accepted unless previously authorized by us in writing and, if so, will be subject to a 20% handling charge. There are no returns on custom orders.

**Price:** We reserve the right to change prices and product specifications without notice.

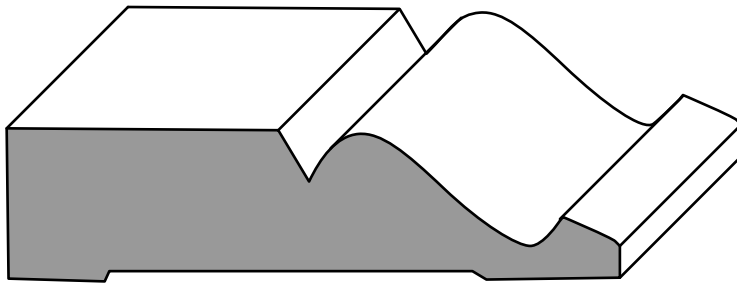
**Special Note:** All mouldings may have natural colour variations due to characteristics of wood types.



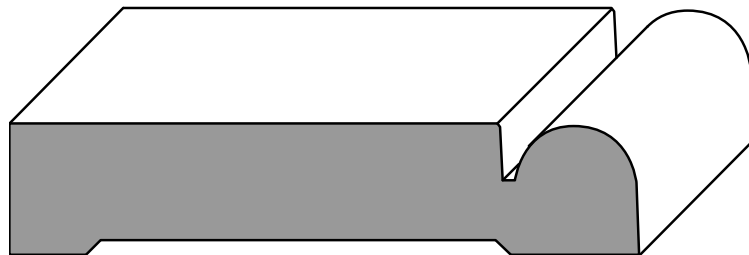
**1.** 3/4 x 3 1/4"



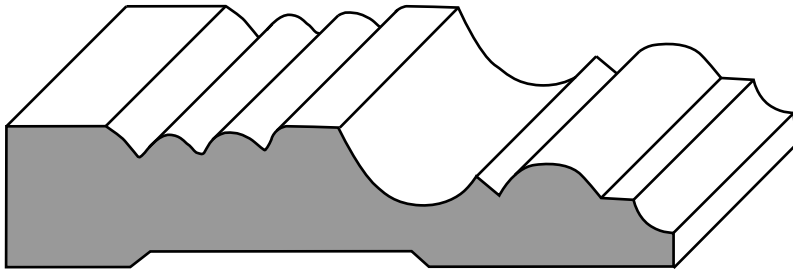
**2.** 3/4 x 3 1/4"



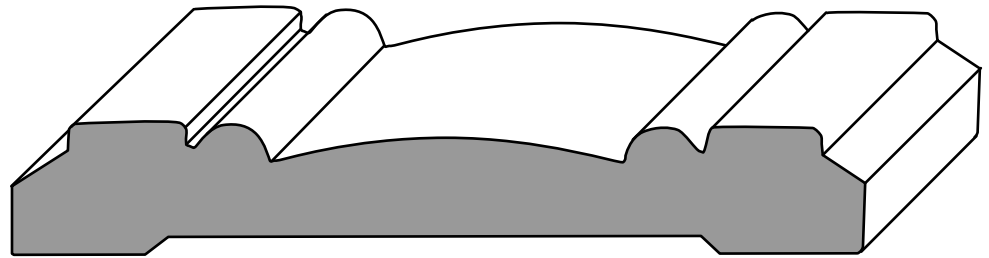
**3.** 3/4 x 3 1/4"



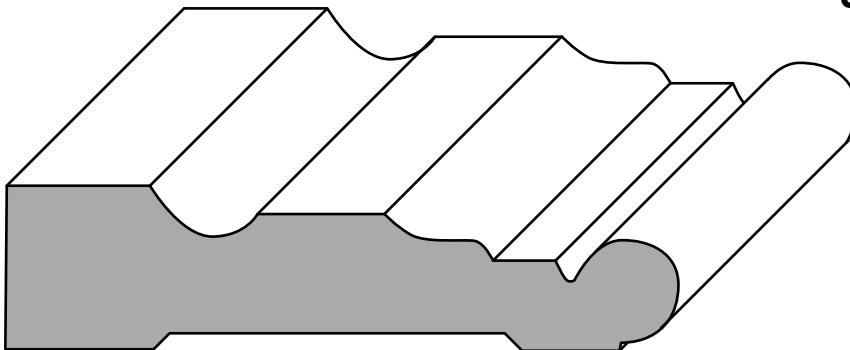
**4.** 3/4 x 3 1/4"



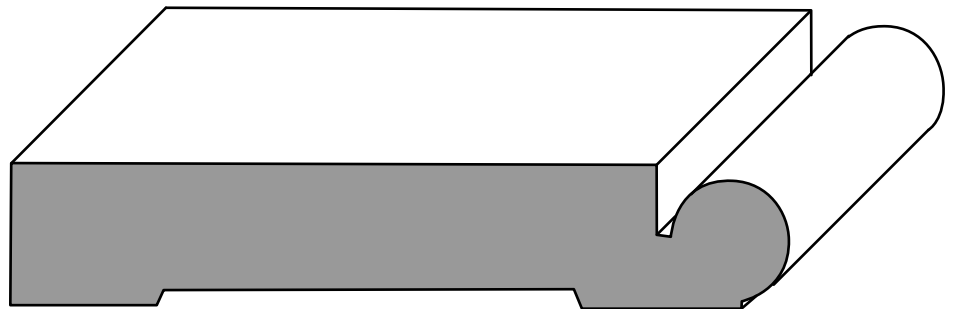
5.  $3/4 \times 3\ 1/2''$



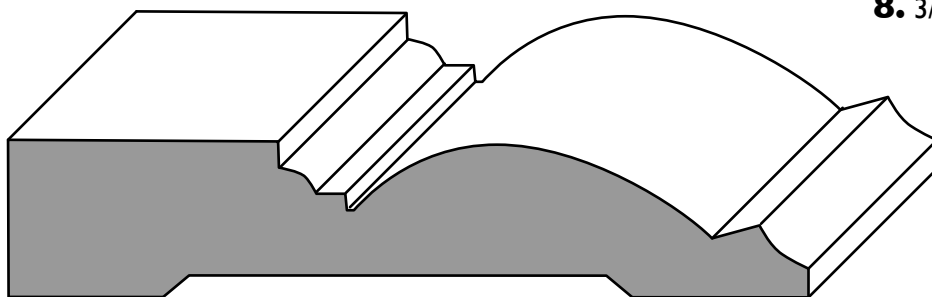
6.  $11/16 \times 4\ 1/2''$



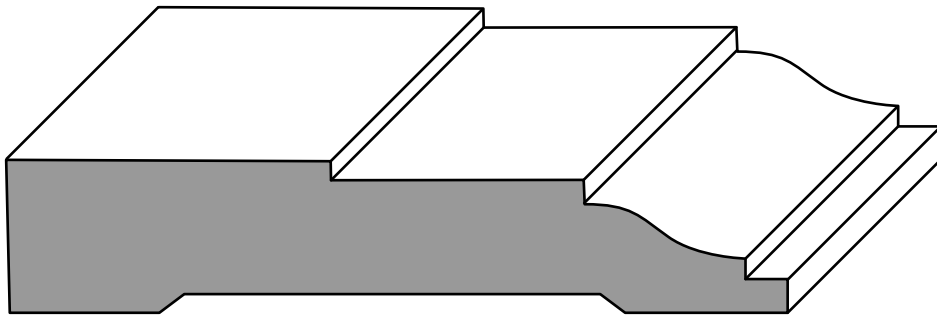
7.  $7/8 \times 3\ 1/2''$



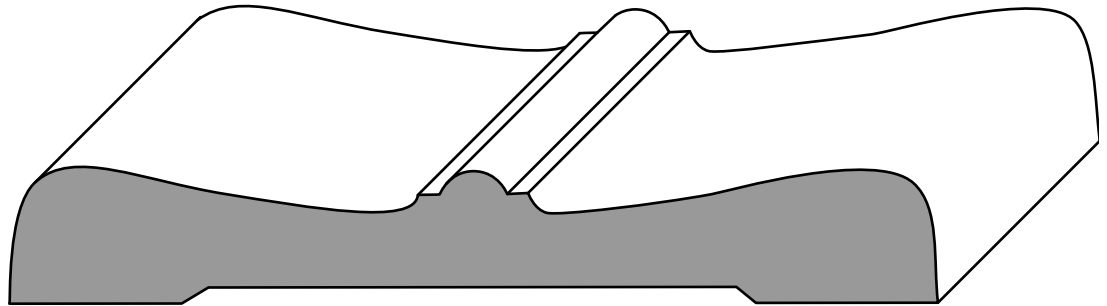
8.  $3/4 \times 4''$



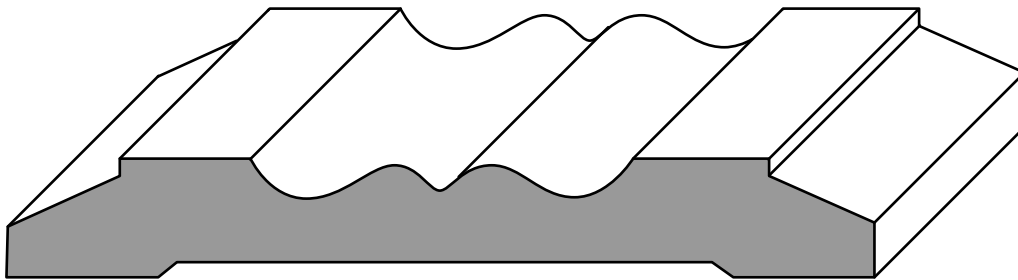
9.  $3/4 \times 4''$



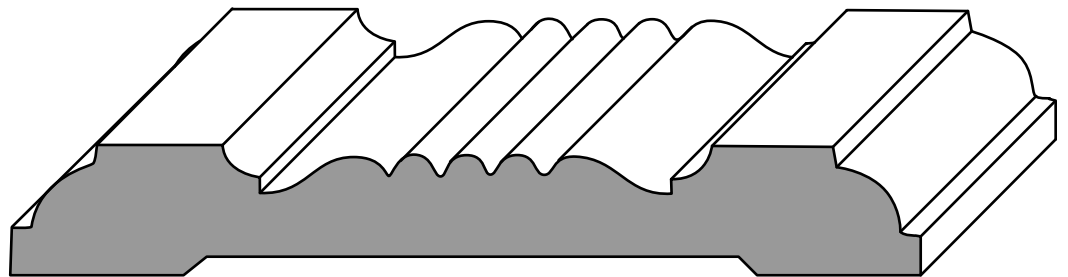
**10.** 3/4 x 4"



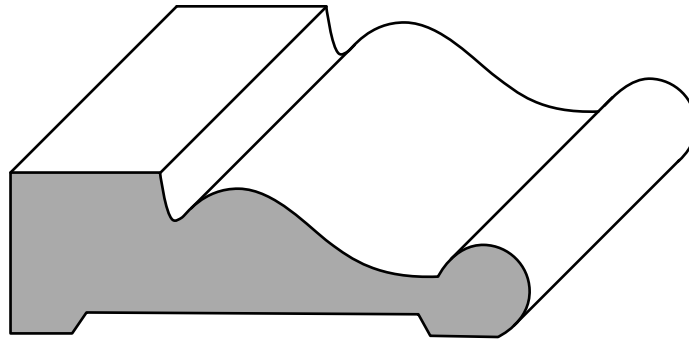
**11.** 11/16 x 4 13/16"



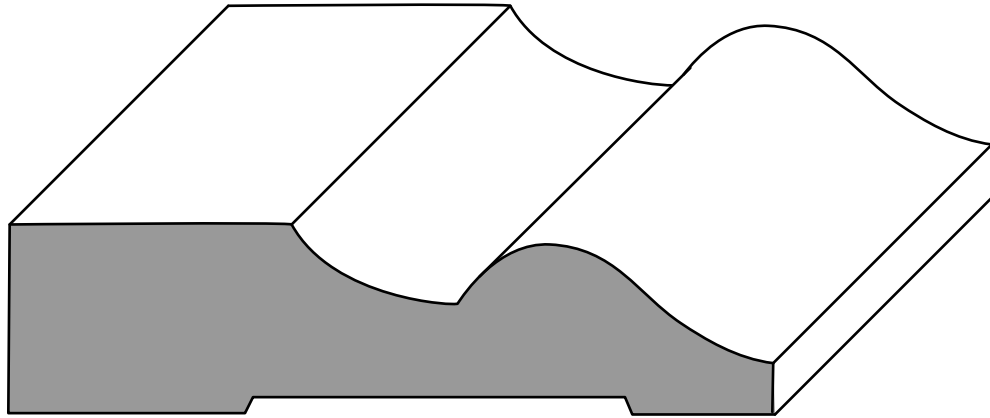
**12.** 11/16 x 4 1/2"



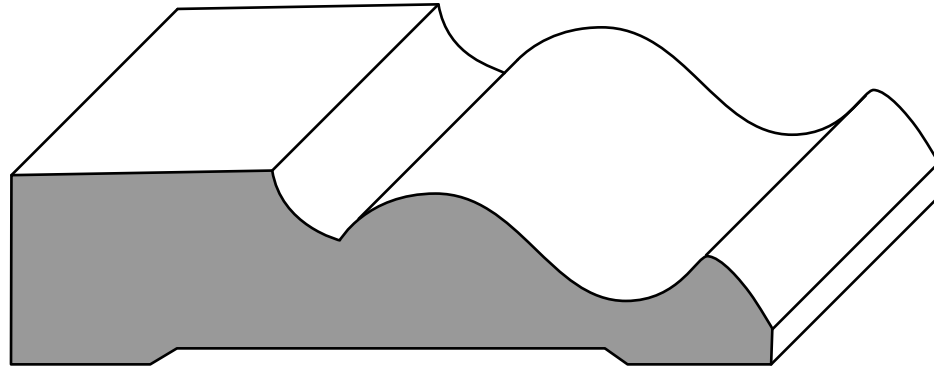
**13.** 11/16 x 4 3/4"



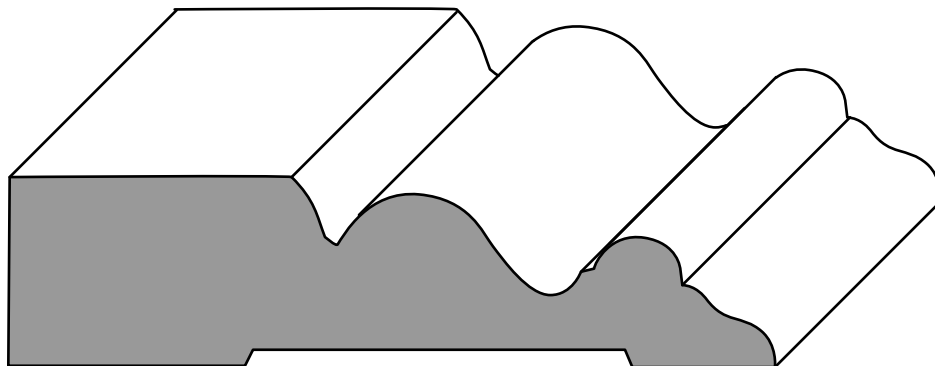
**14.** 7/8 x 2 3/4"



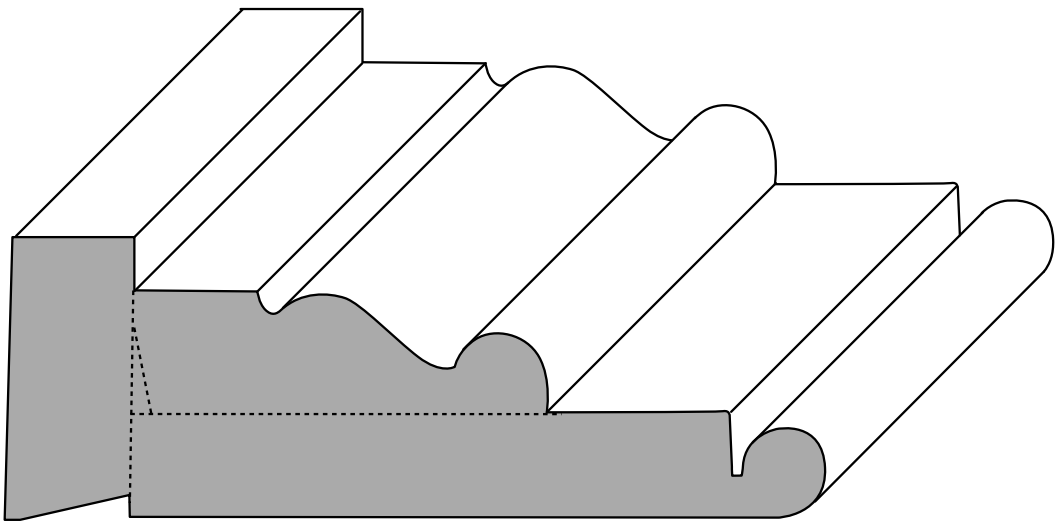
**20.** 1 x 4"



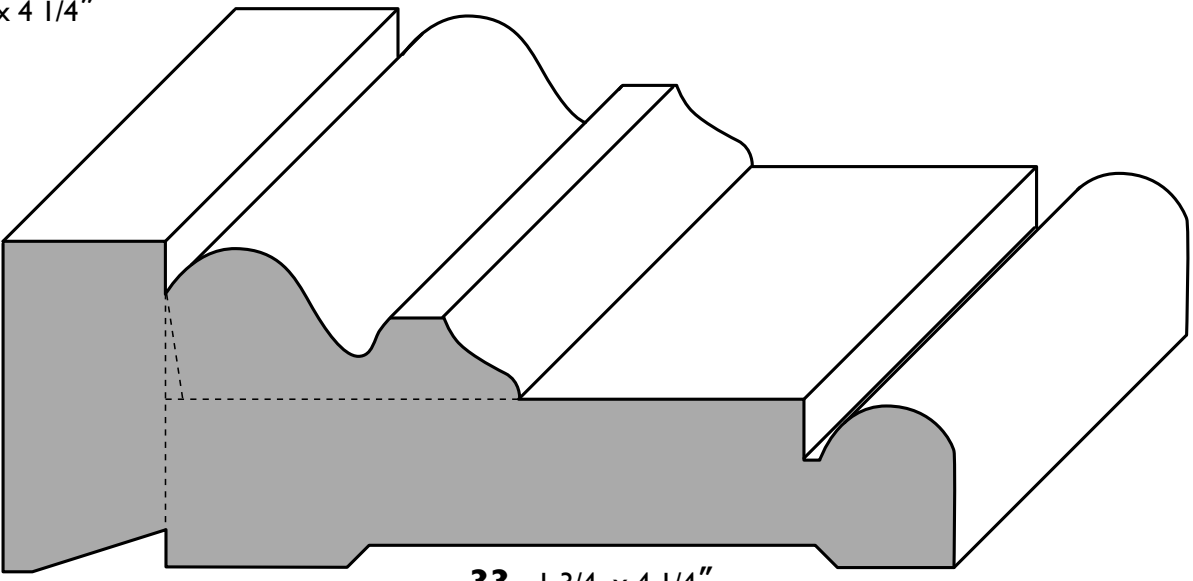
**21.** 1 x 4"



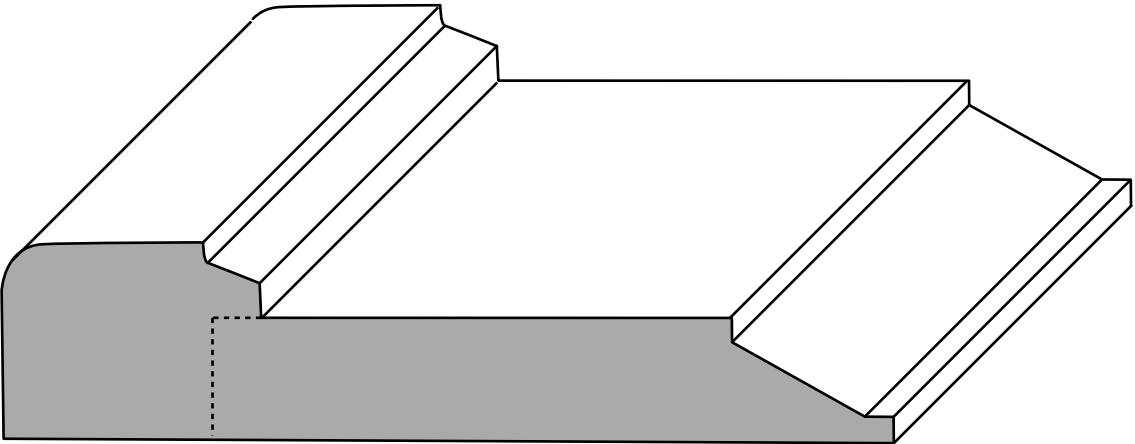
**22.** 1 x 4"



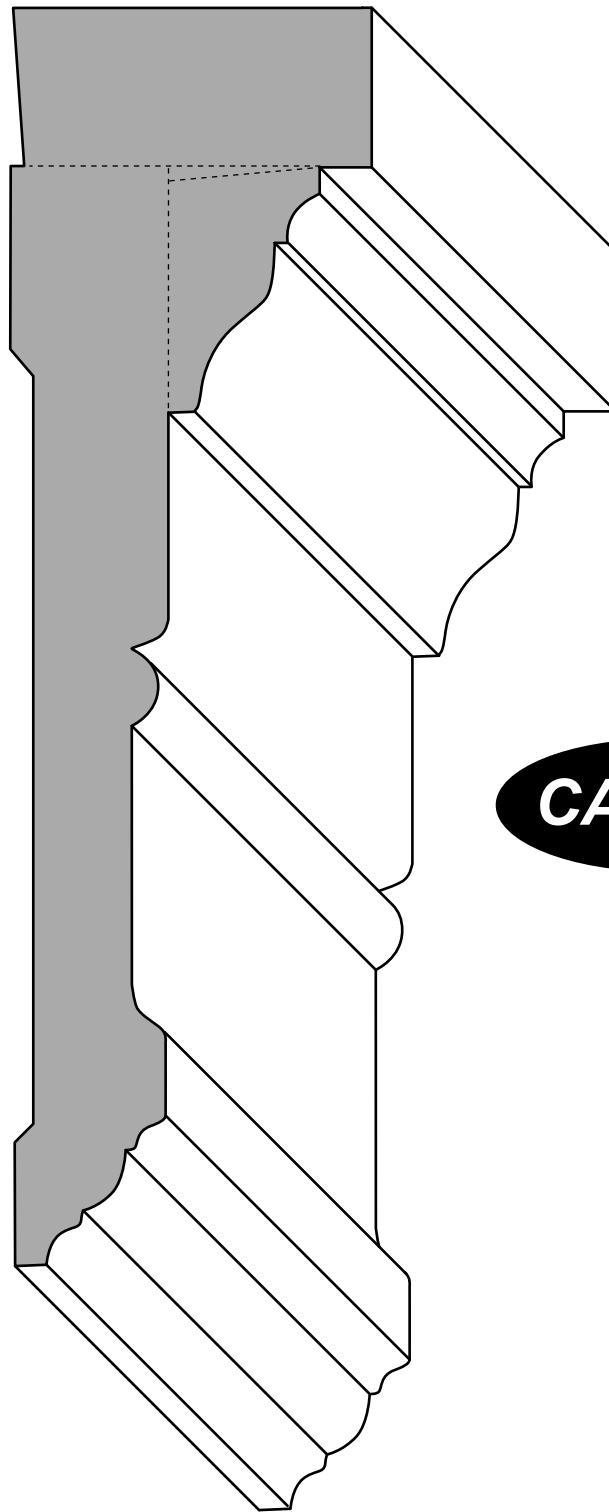
**30.** 1 1/2 x 4 1/4"



**33.** 1 3/4 x 4 1/4"

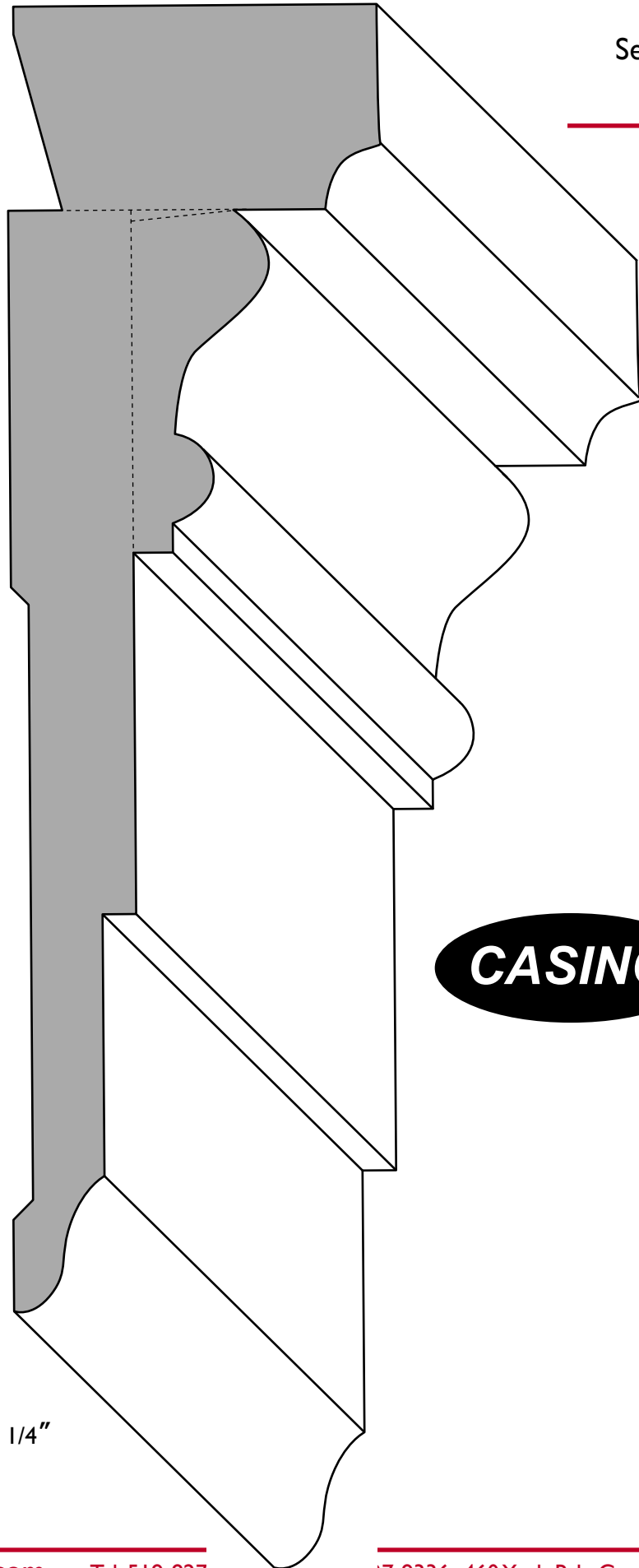


**34.** 1 x 4 7/16"



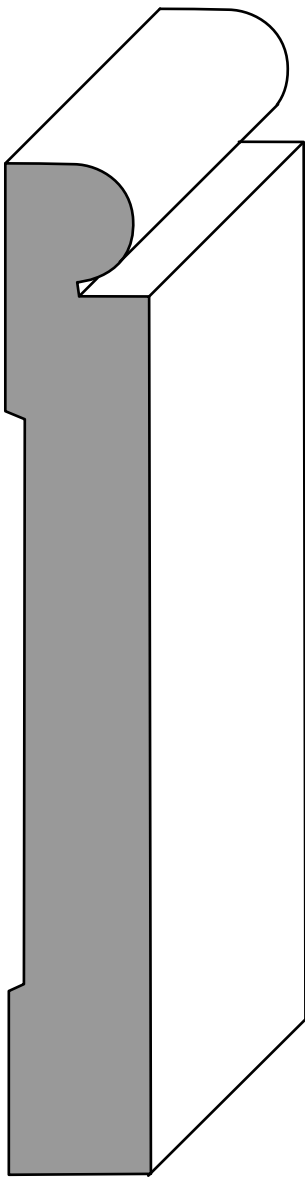
**CASING**

**31.** 1 7/8 x 6 1/2"

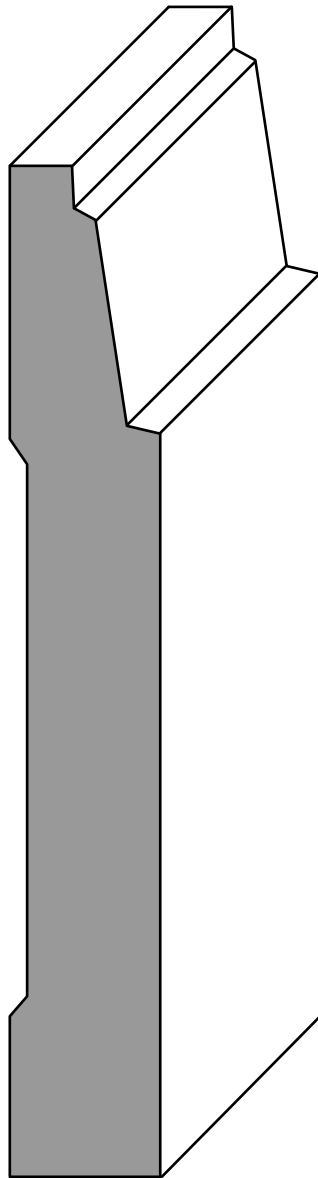


**CASING**

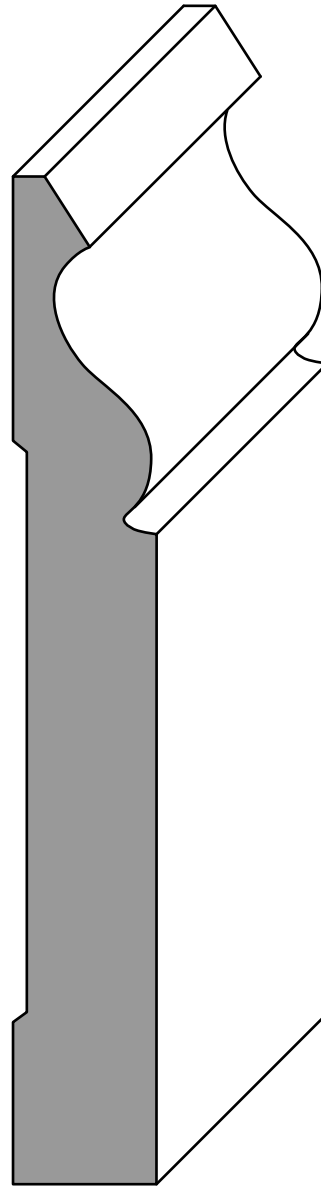
**32.** 2 3/8 x 8 1/4"



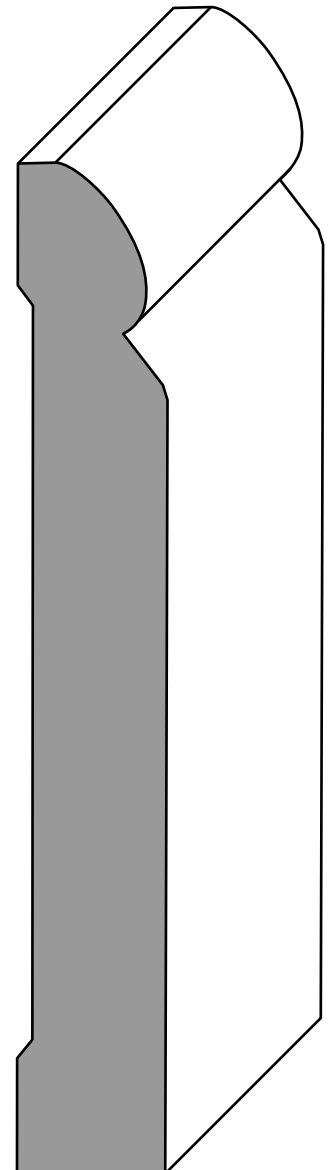
**41 a.** 3/4 x 5 1/4"  
**41 b.** 3/4 x 7 1/4"



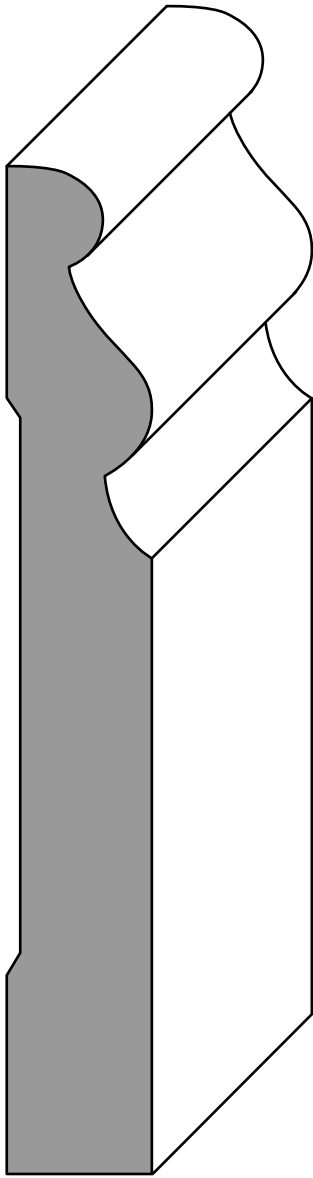
**42 a.** 3/4 x 5 1/4"  
**42 b.** 3/4 x 7 1/4"



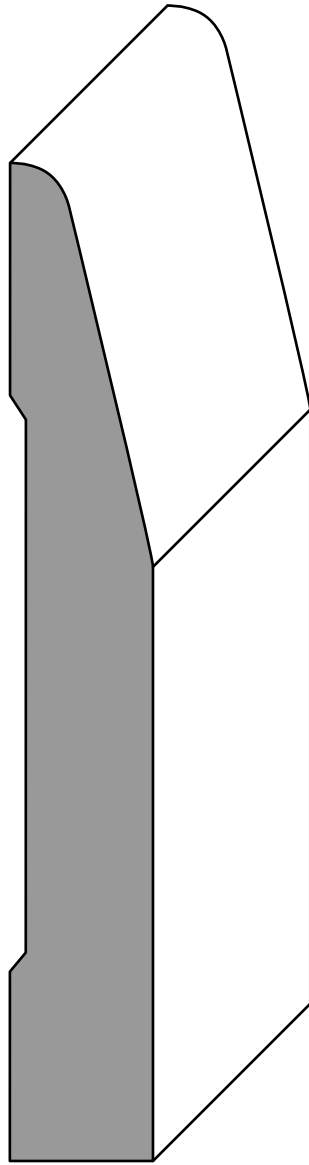
**43 a.** 3/4 x 5 1/4"  
**43 b.** 3/4 x 7 1/4"



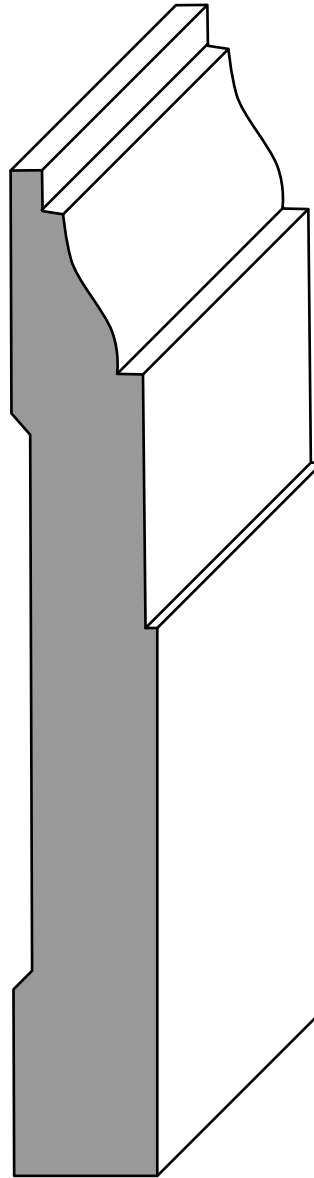
**44 a.** 3/4 x 5 1/4"  
**44 b.** 3/4 x 7 1/4"



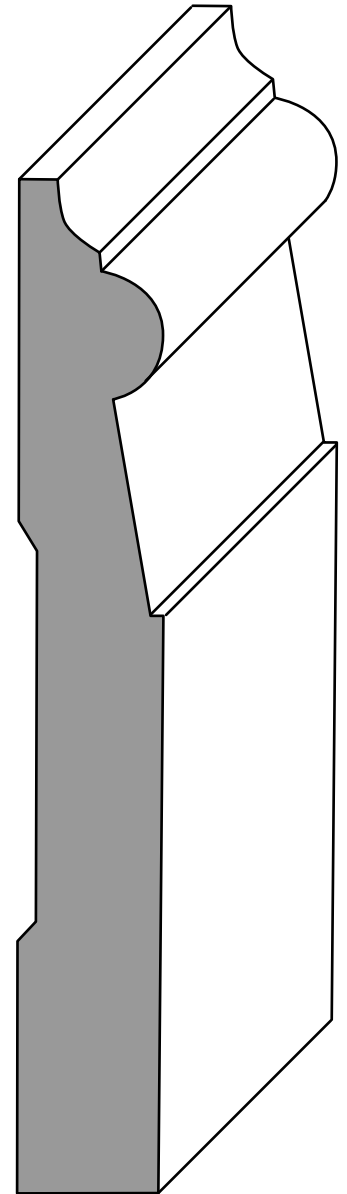
**45 a.** 3/4 x 5 1/4"  
**45 b.** 3/4 x 7 1/4"



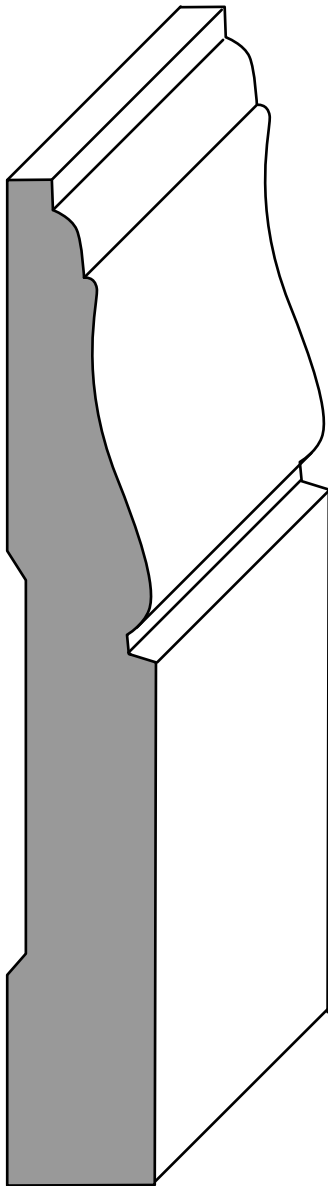
**46 a.** 3/4 x 5 1/4"  
**46 b.** 3/4 x 7 1/4"



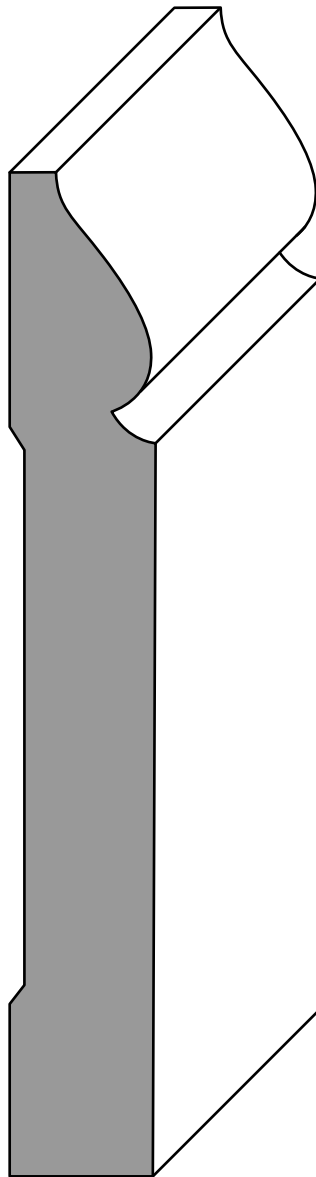
**47 a.** 3/4 x 5 1/4"  
**47 b.** 3/4 x 7 1/4"



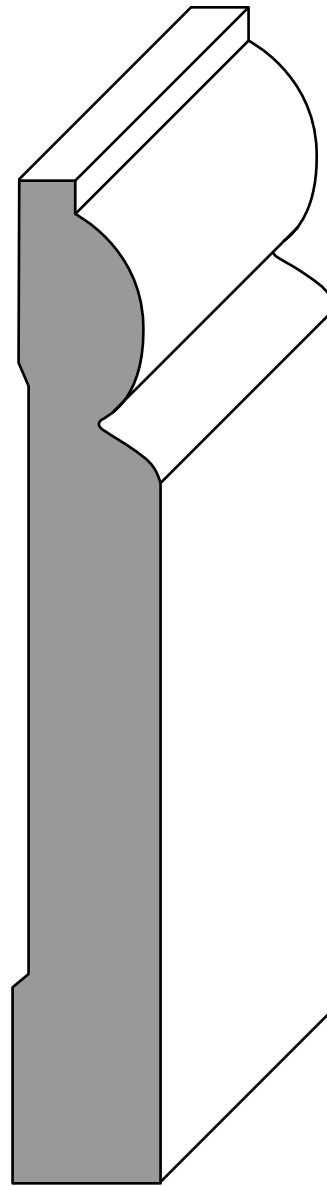
**48 a.** 3/4 x 5 1/4"  
**48 b.** 3/4 x 7 1/4"



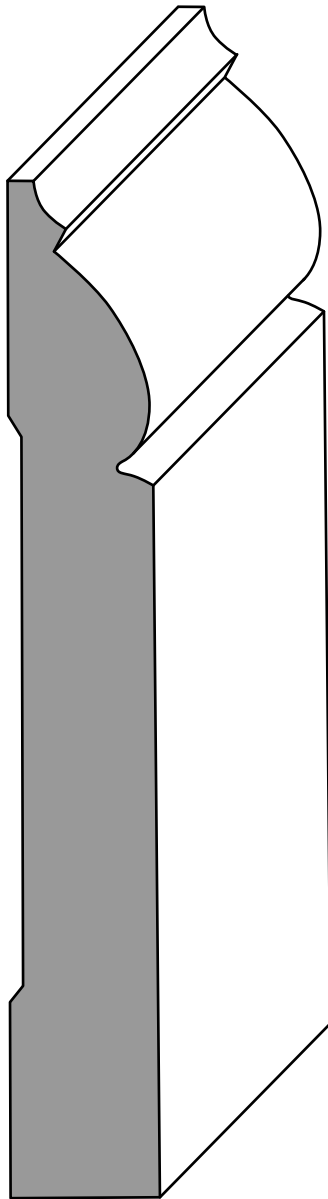
**49 a.** 3/4 x 5 1/4"  
**49 b.** 3/4 x 7 1/4"



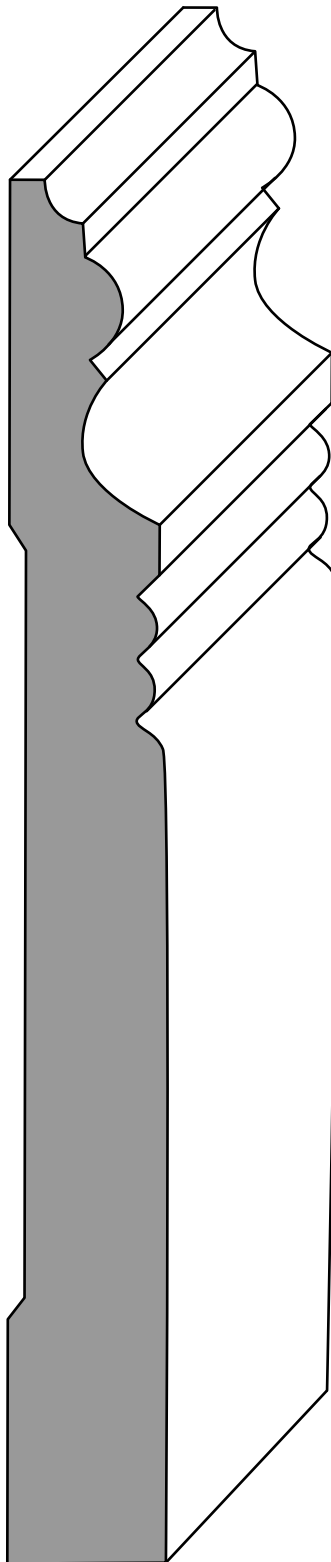
**50 a.** 3/4 x 5 1/4"  
**50 b.** 3/4 x 7 1/4"



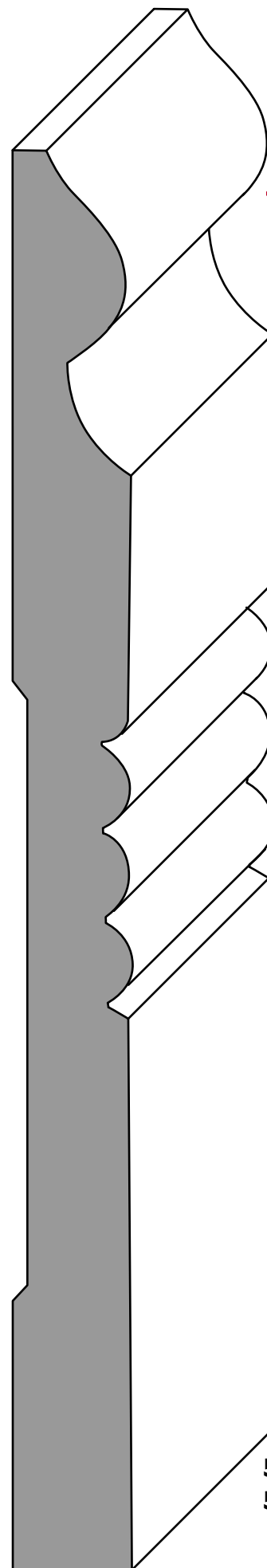
**56 a.** 3/4 x 5 1/4"  
**56 b.** 3/4 x 7 1/4"



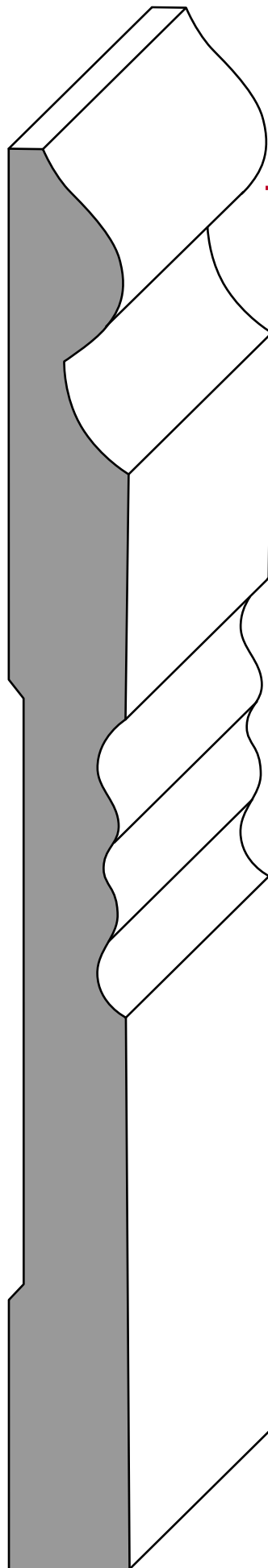
**51 a.** 3/4 x 5 1/4"  
**51 b.** 3/4 x 7 1/4"



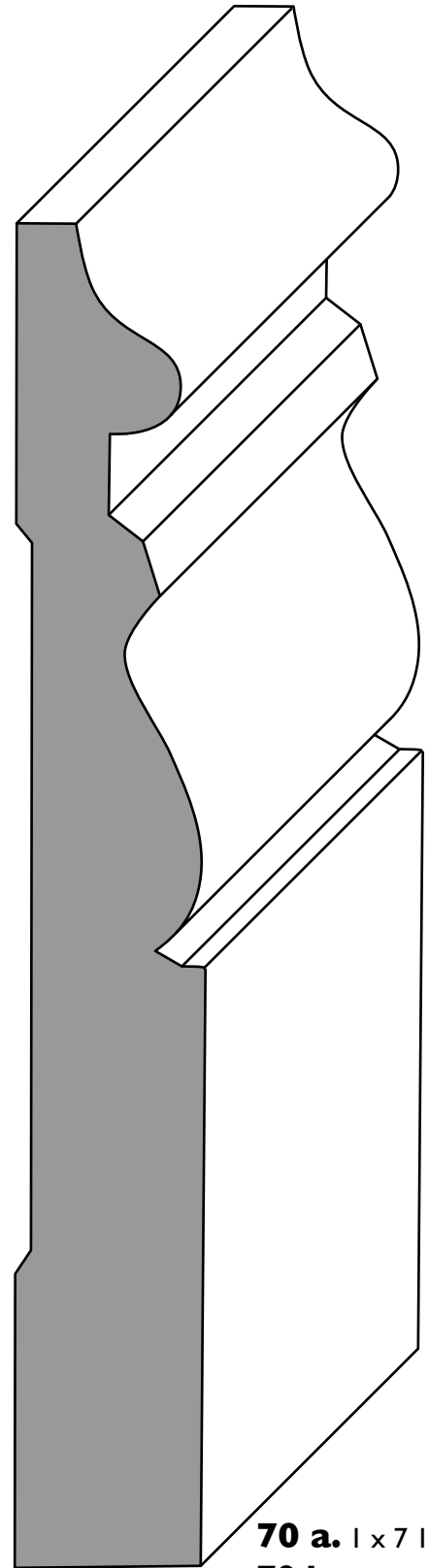
**52 a.** 3/4 x 5 1/4"  
**52 b.** 3/4 x 7 1/4"



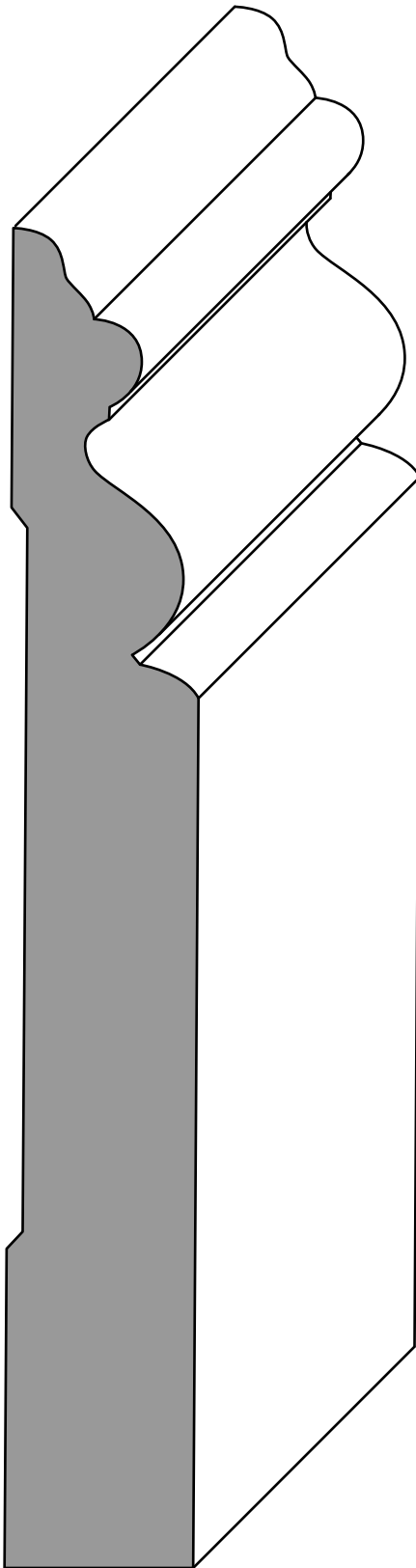
**53 a.** 3/4 x 9 1/4"  
**53 b.** 3/4 x 7 1/4"



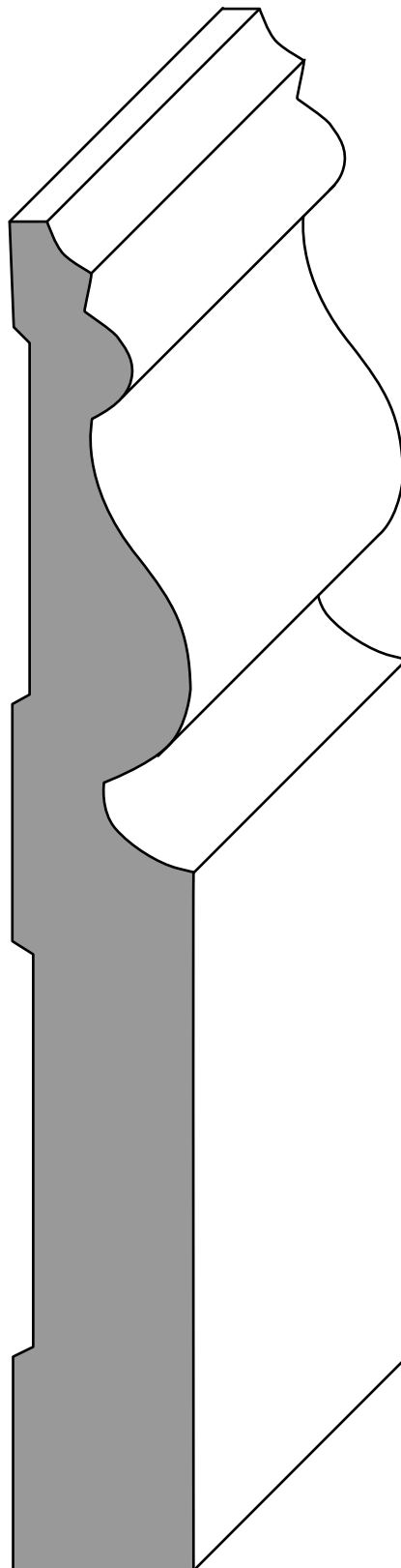
**54 a.** 3/4 x 9 1/4"  
**54 b.** 3/4 x 7 1/4"



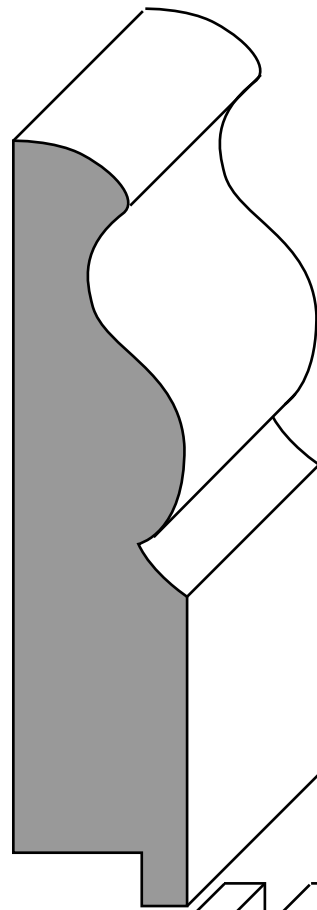
**70 a.** 1 x 7 1/4"  
**70 b.** 1 x 9 1/4"



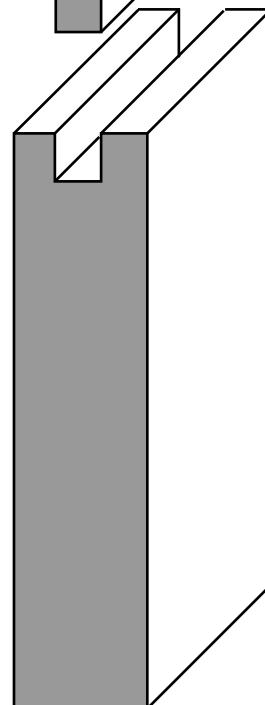
**71.** 1 x 7 1/4"



**72.** 1 x 7 1/4"

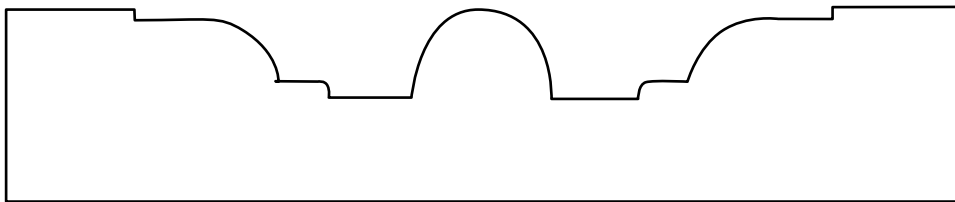
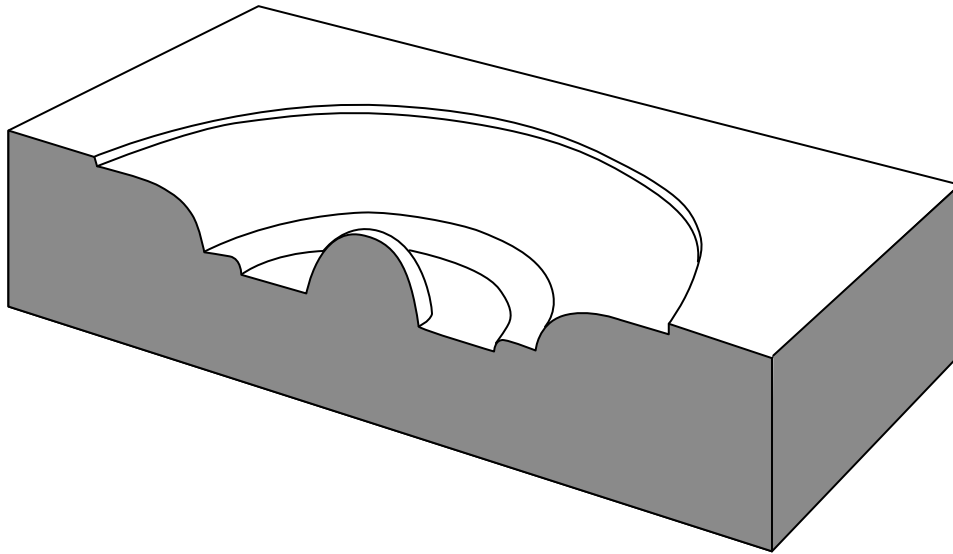


**80.** 1 x 4"



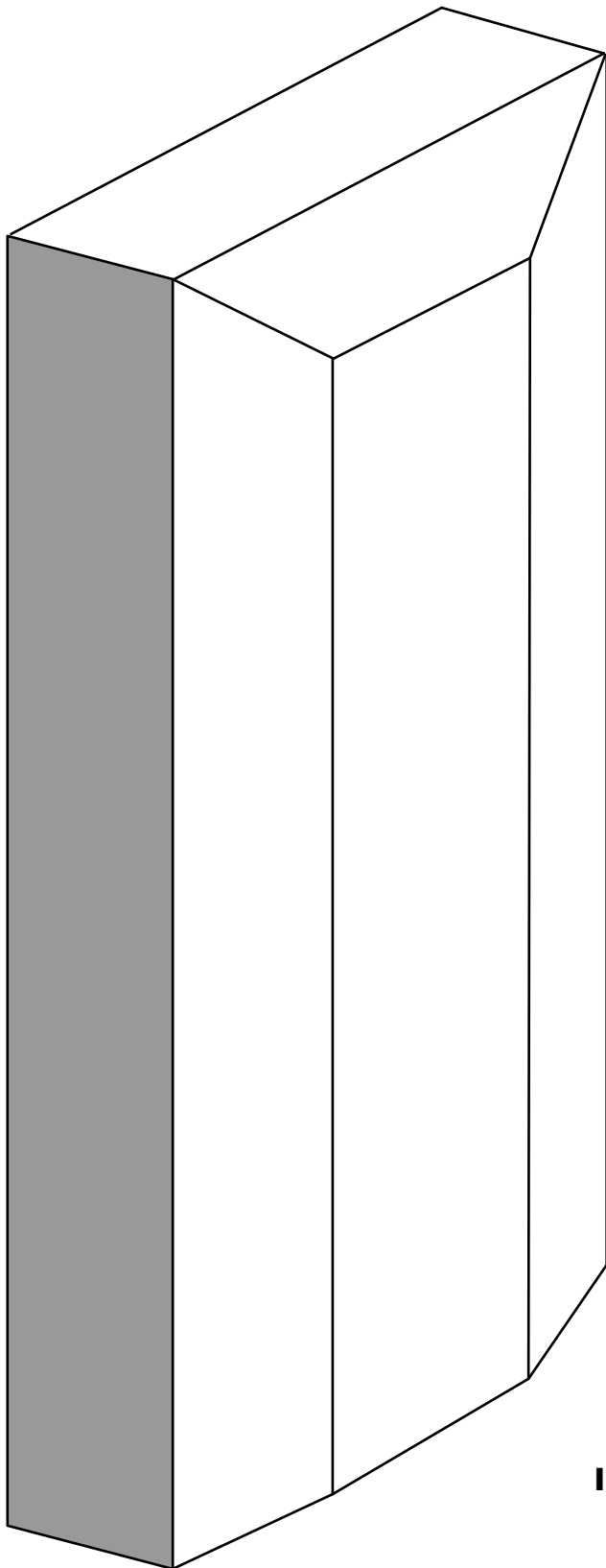
**200 a.** 3/4 x 5 1/4"

**200 b.** 3/8 x 7 1/4"



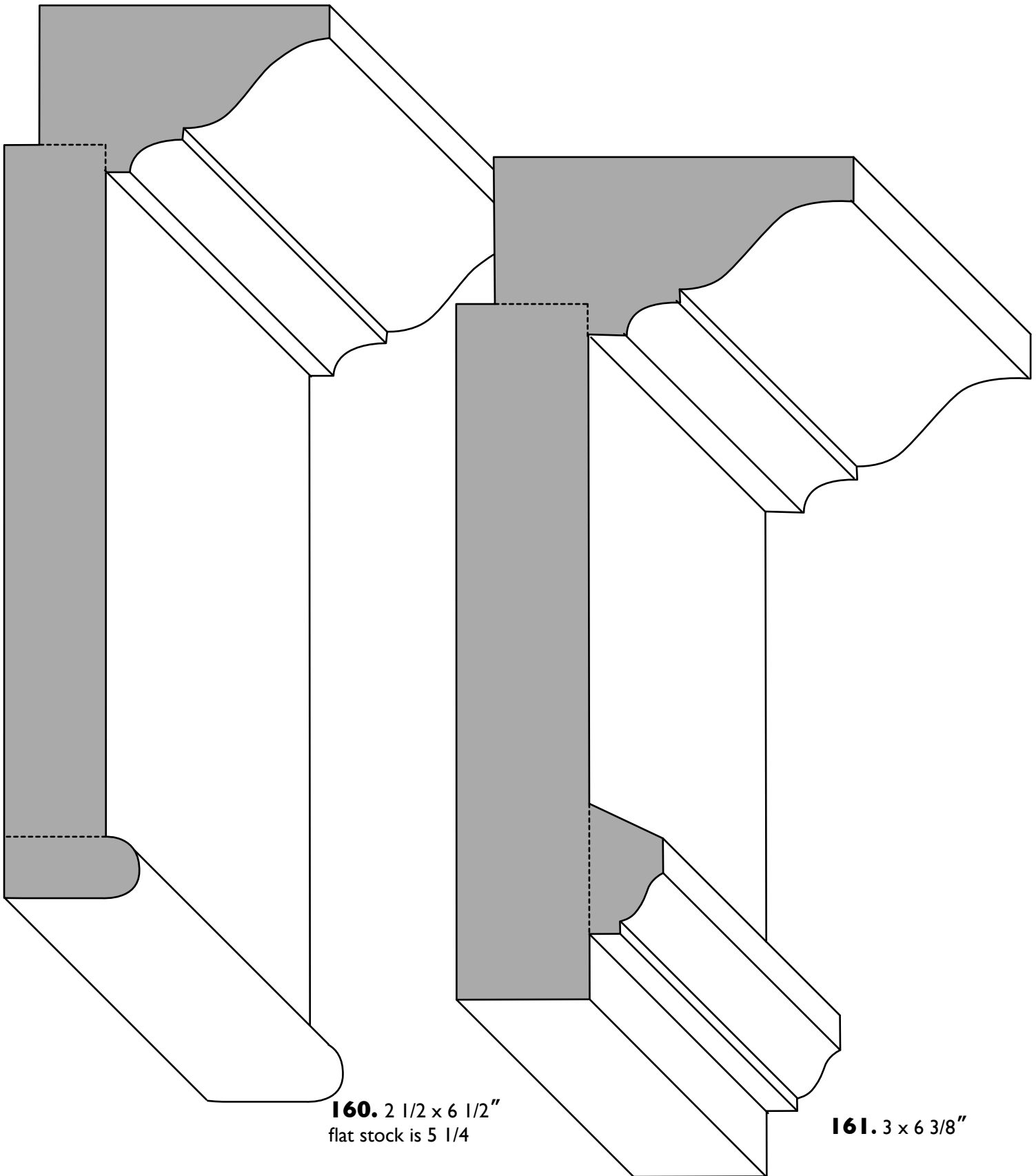
**I43 a** . 1 x 4 1/4 x 4 1/4"

**I43 b** . 1 x 5 x 5"



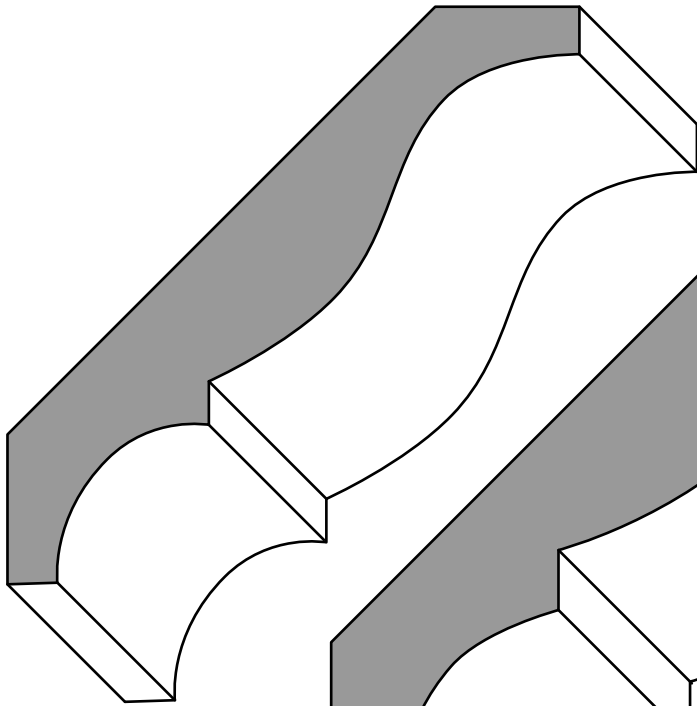
Note: We will mill plinth and cornerblocks to suit your choice of casing and baseboard dimensions

**I45.** 1 x 4 x 7"

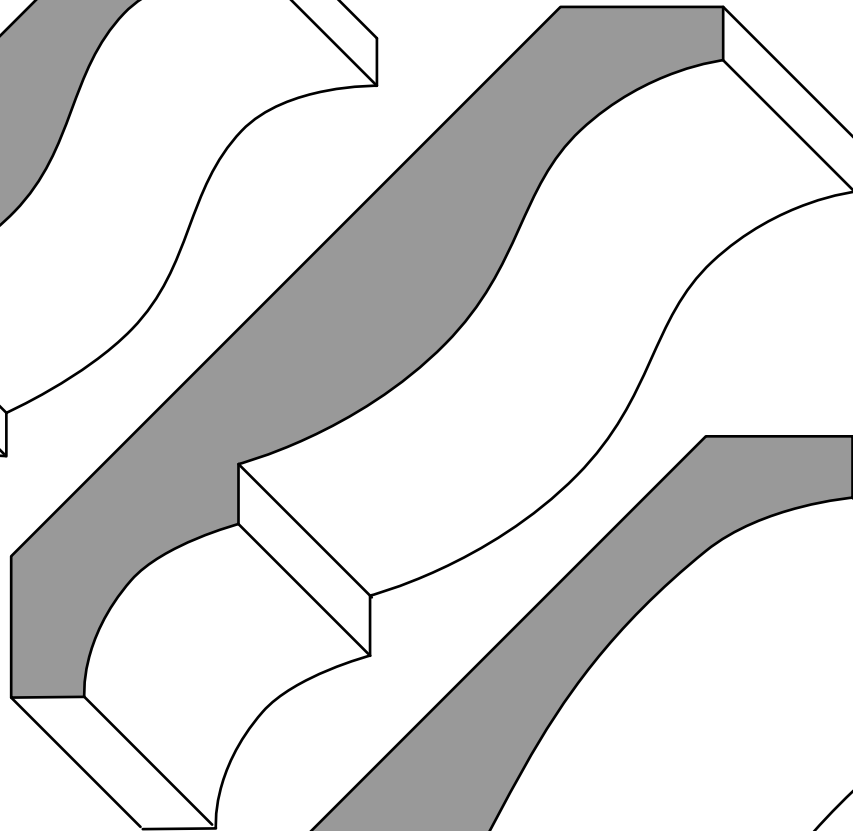


**160.** 2 1/2 x 6 1/2"  
flat stock is 5 1/4"

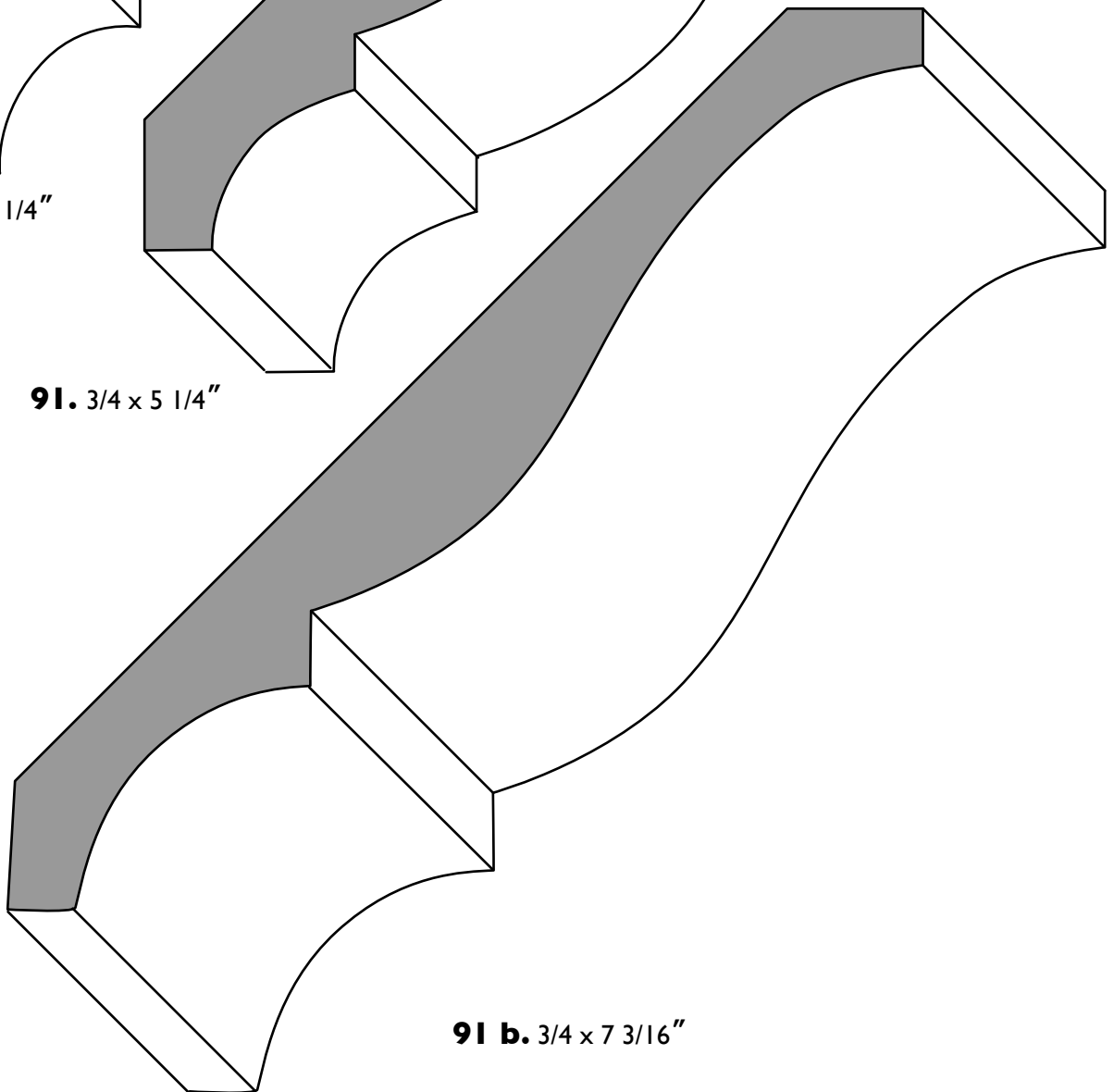
**161.** 3 x 6 3/8"



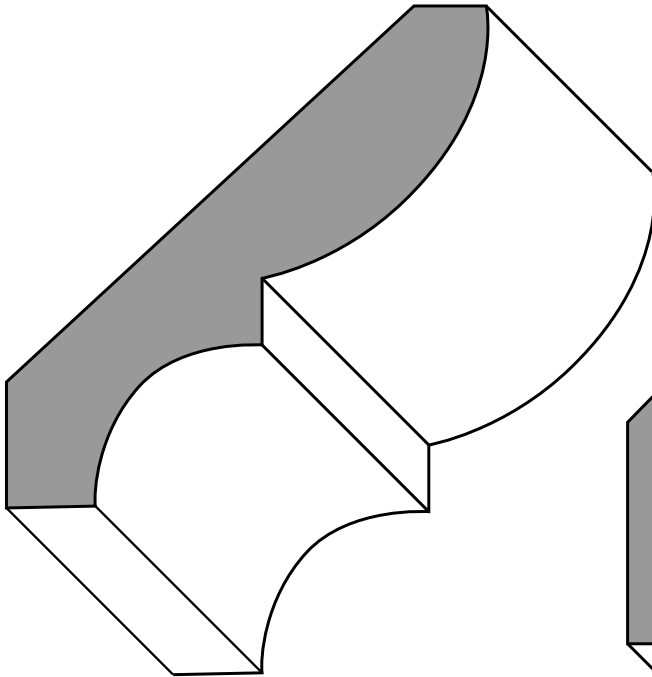
**90.**  $3/4 \times 4 \ 1/4''$



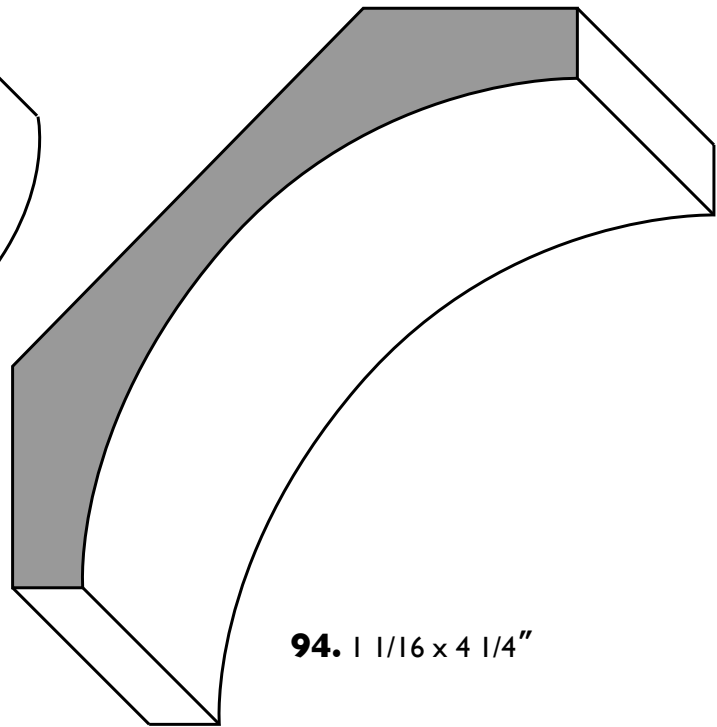
**91.**  $3/4 \times 5 \ 1/4''$



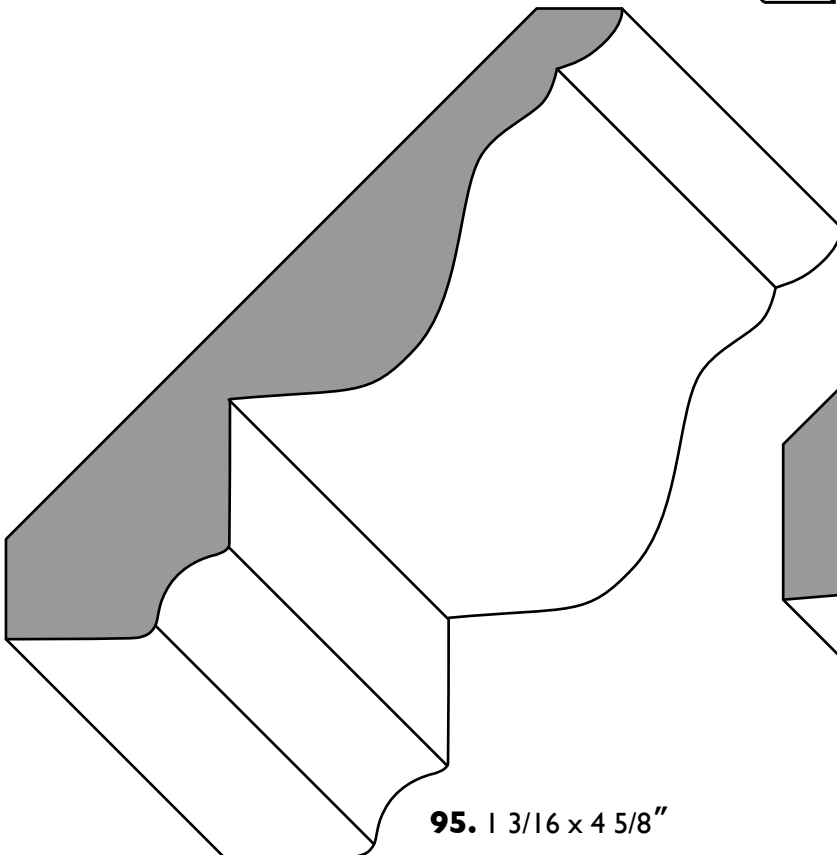
**91 b.**  $3/4 \times 7 \ 3/16''$



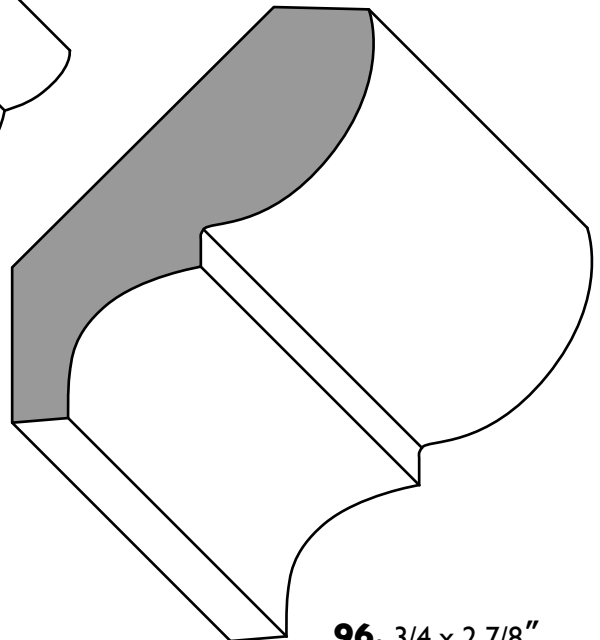
**93.**  $3/4 \times 3\ 5/8''$



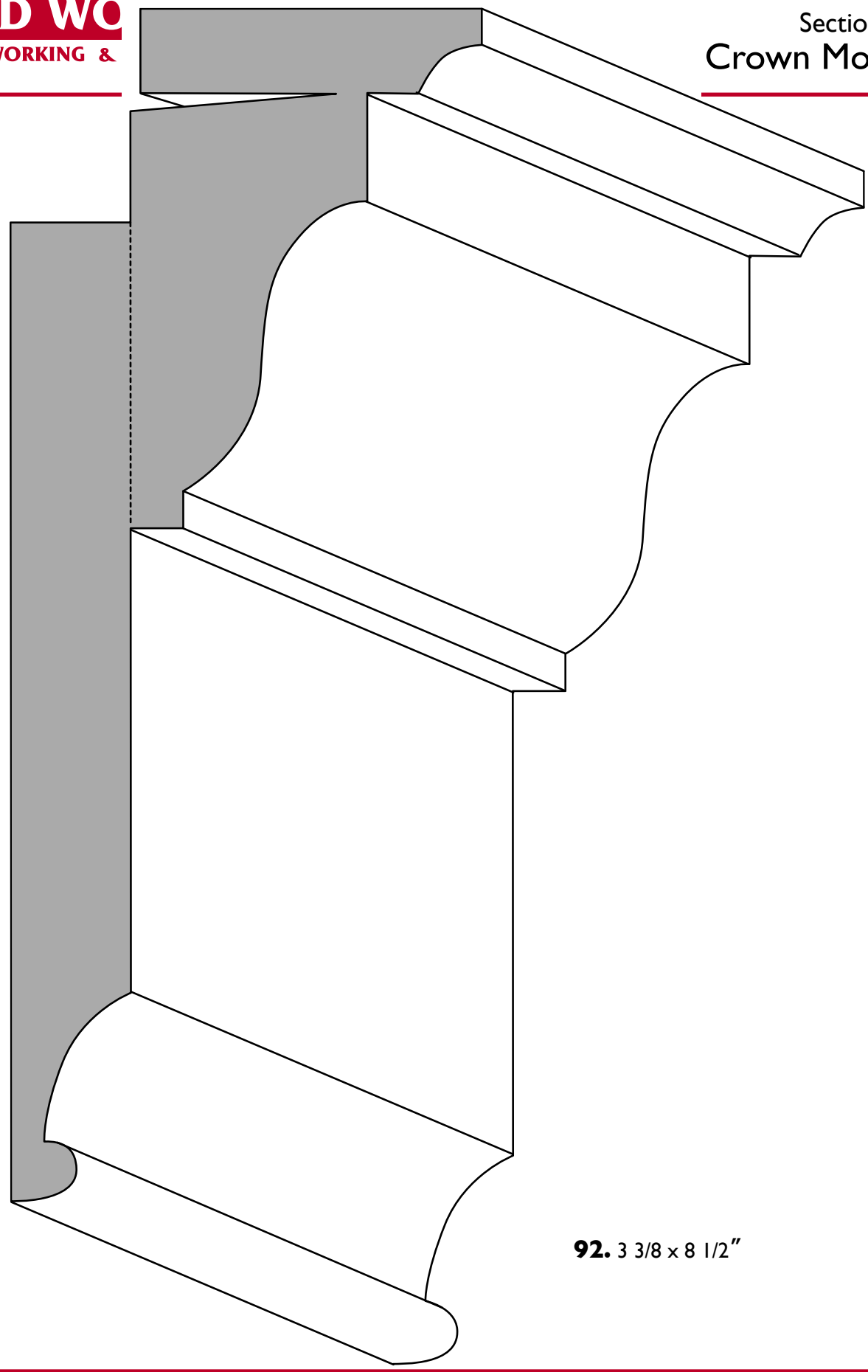
**94.**  $1\ 1/16 \times 4\ 1/4''$



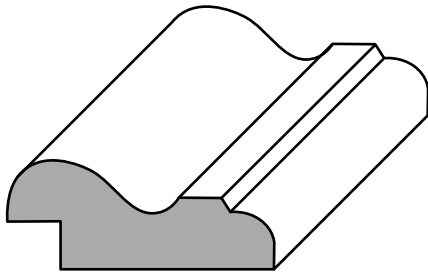
**95.**  $1\ 3/16 \times 4\ 5/8''$



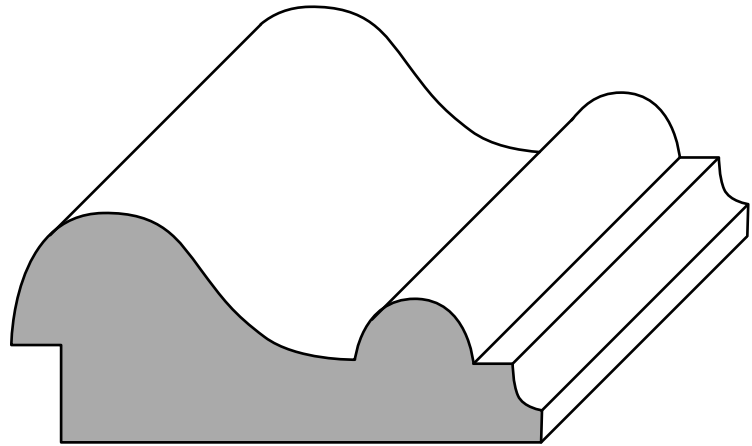
**96.**  $3/4 \times 2\ 7/8''$



**92.** 3 3/8 x 8 1/2"

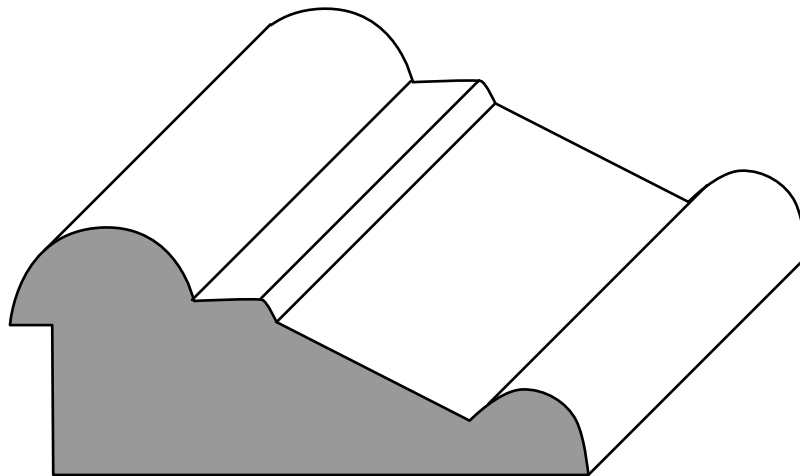


**130.**  $9/16 \times 1\ 3/8''$

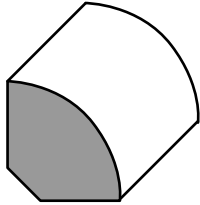


**131a.**  $1\ 1/8 \times 2\ 3/4''$   $1/4''$  offset

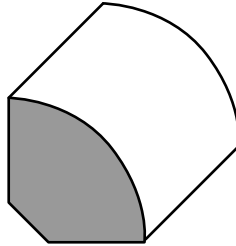
**131b.**  $1\ 1/8 \times 2\ 3/4''$   $1/2''$  offset



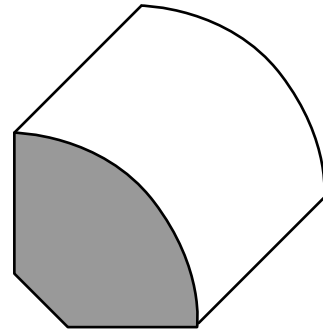
**132.**  $1\ 5/16 \times 3''$   $3/4$  offset



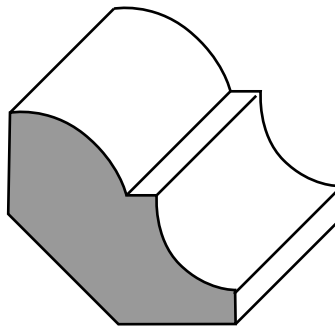
**110.** 1/2 x 7/8"



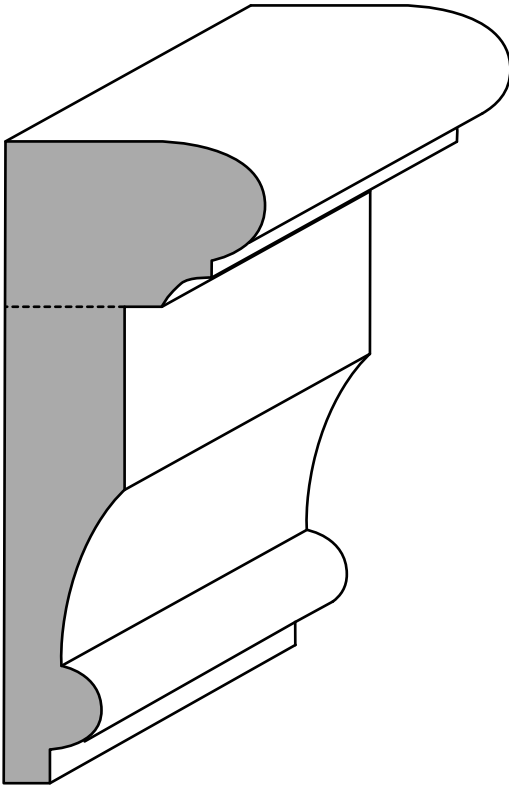
**111.** 5/8 x 1"



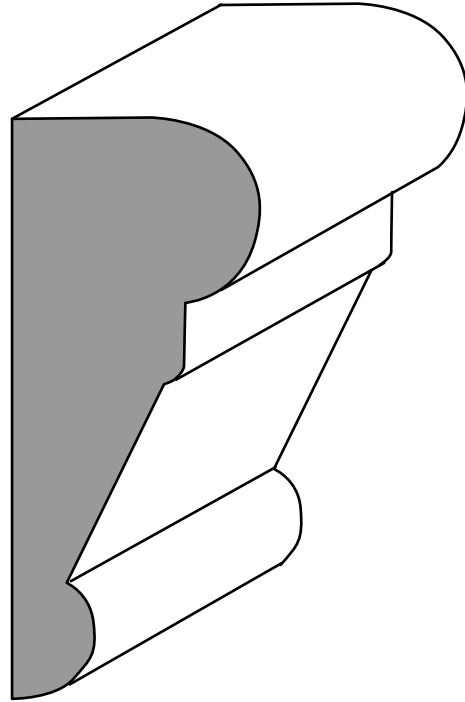
**112.** 3/4 x 1 3/8"



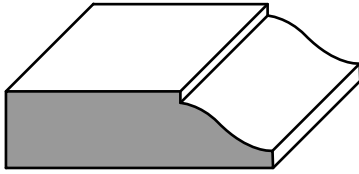
**114.** 5/8 x 1 5/8"



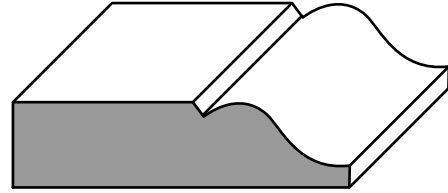
**120.** | 3/8 x 3 3/8"



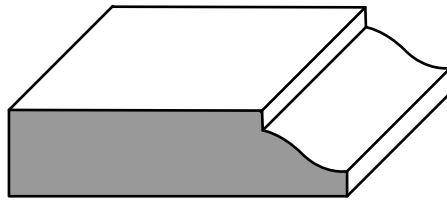
**121.** | 15/16 x 3"



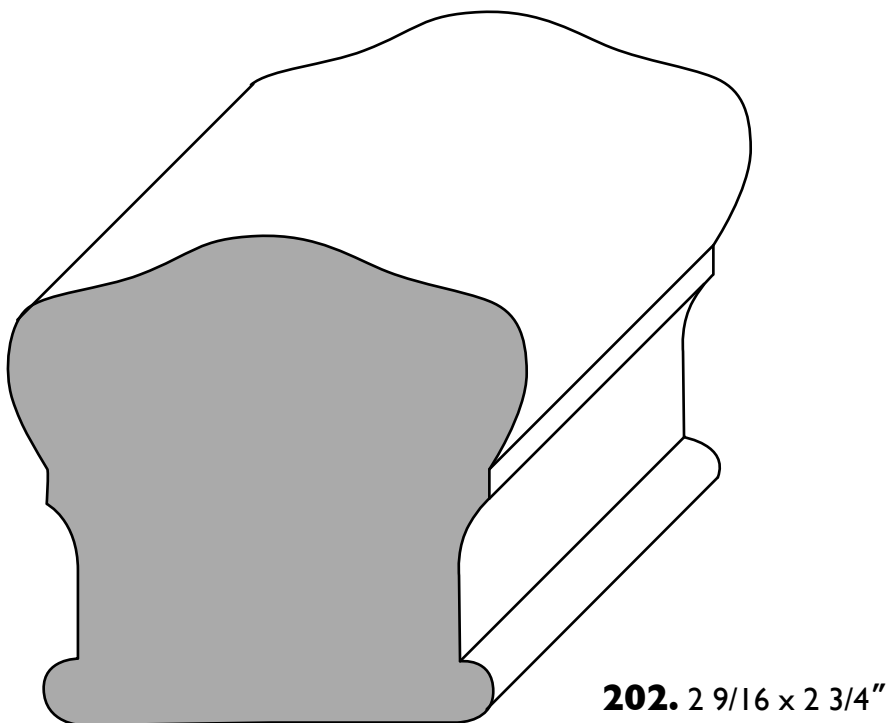
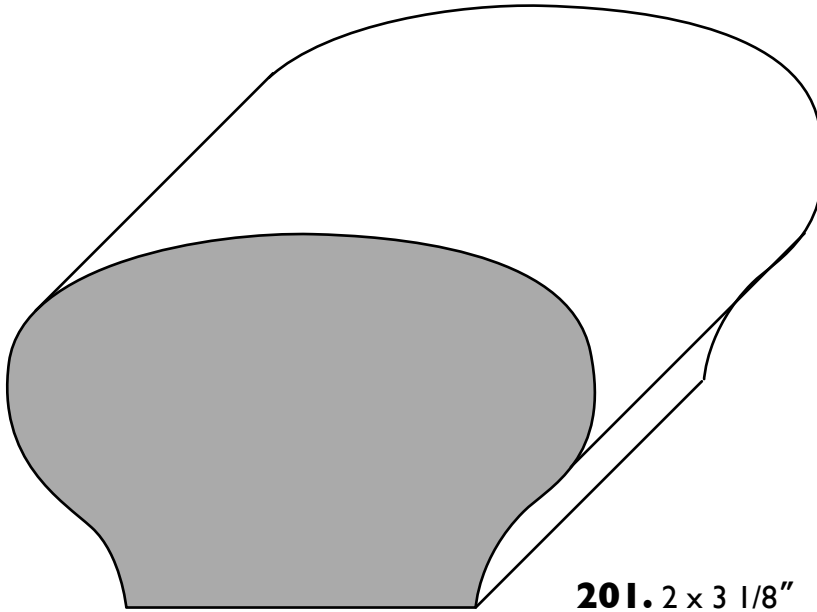
**100.** 5/16 x 1 1/4"



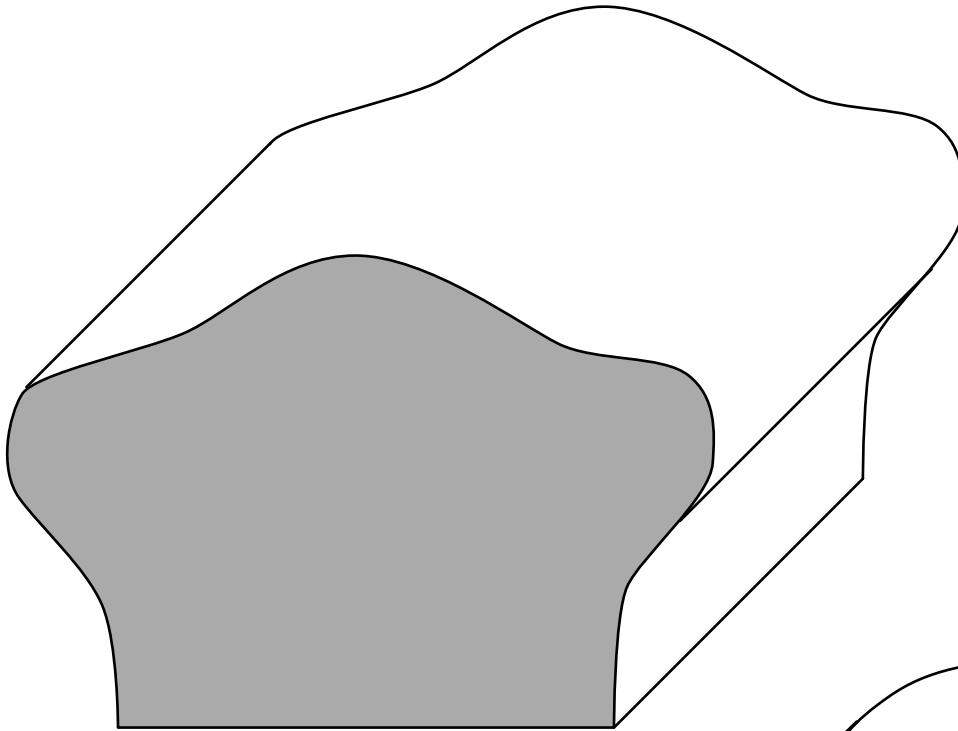
**101.** 7/16 x 1 3/4"



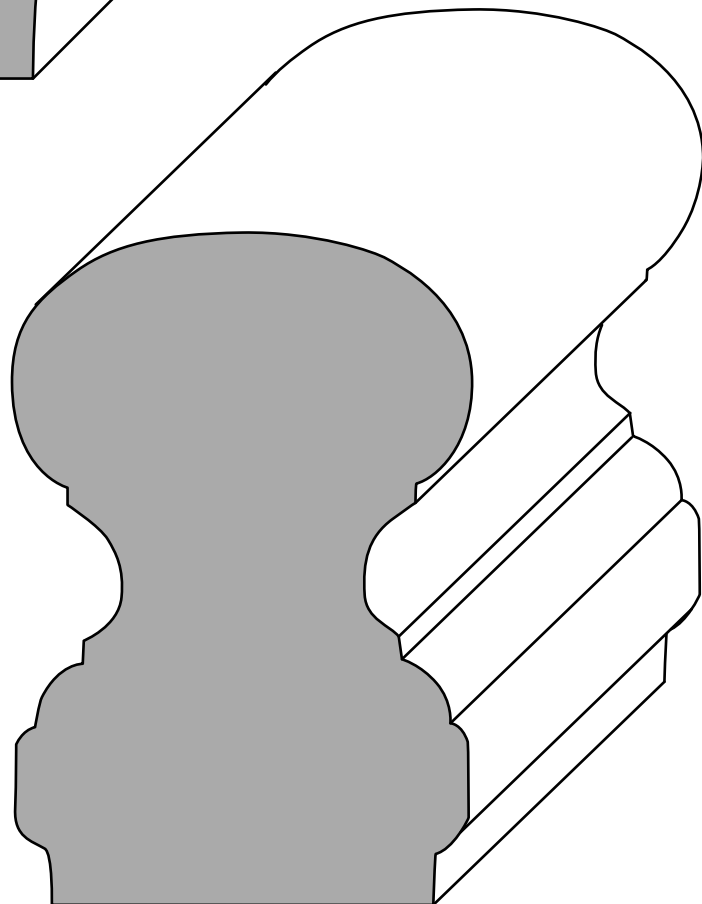
**102.** 7/16 x 1 3/4"



**Note: Handrail with groove and filler piece available**

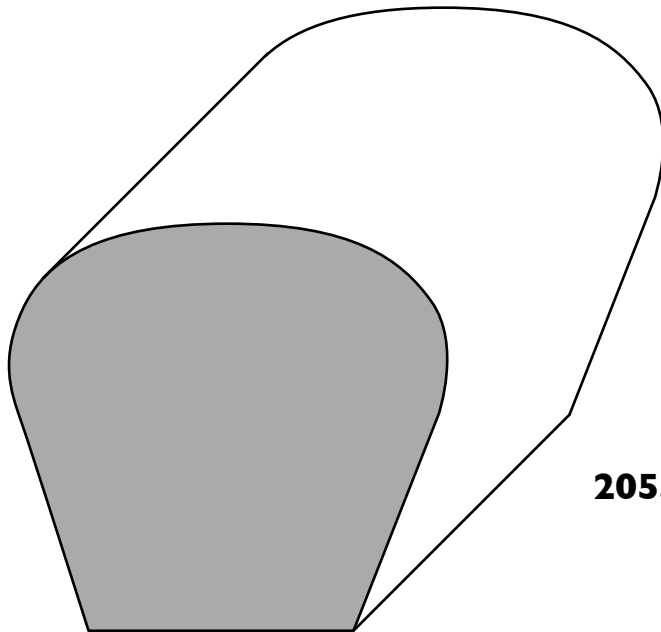


**203.**  $2 \frac{7}{16} \times 3 \frac{11}{16}$ "

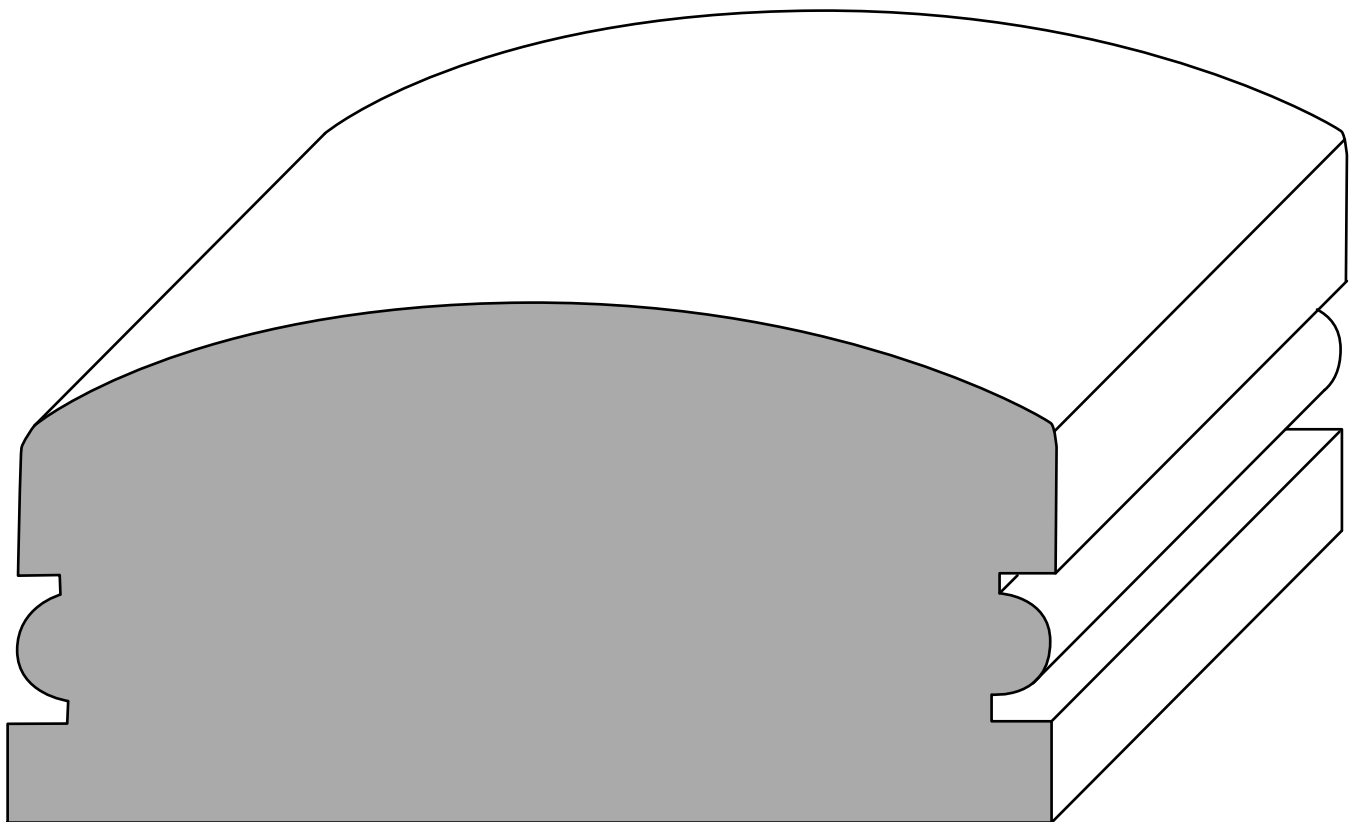


**204.**  $2 \frac{3}{8} \times 3 \frac{1}{2}$ "

**Note: Handrail with groove and filler piece available**

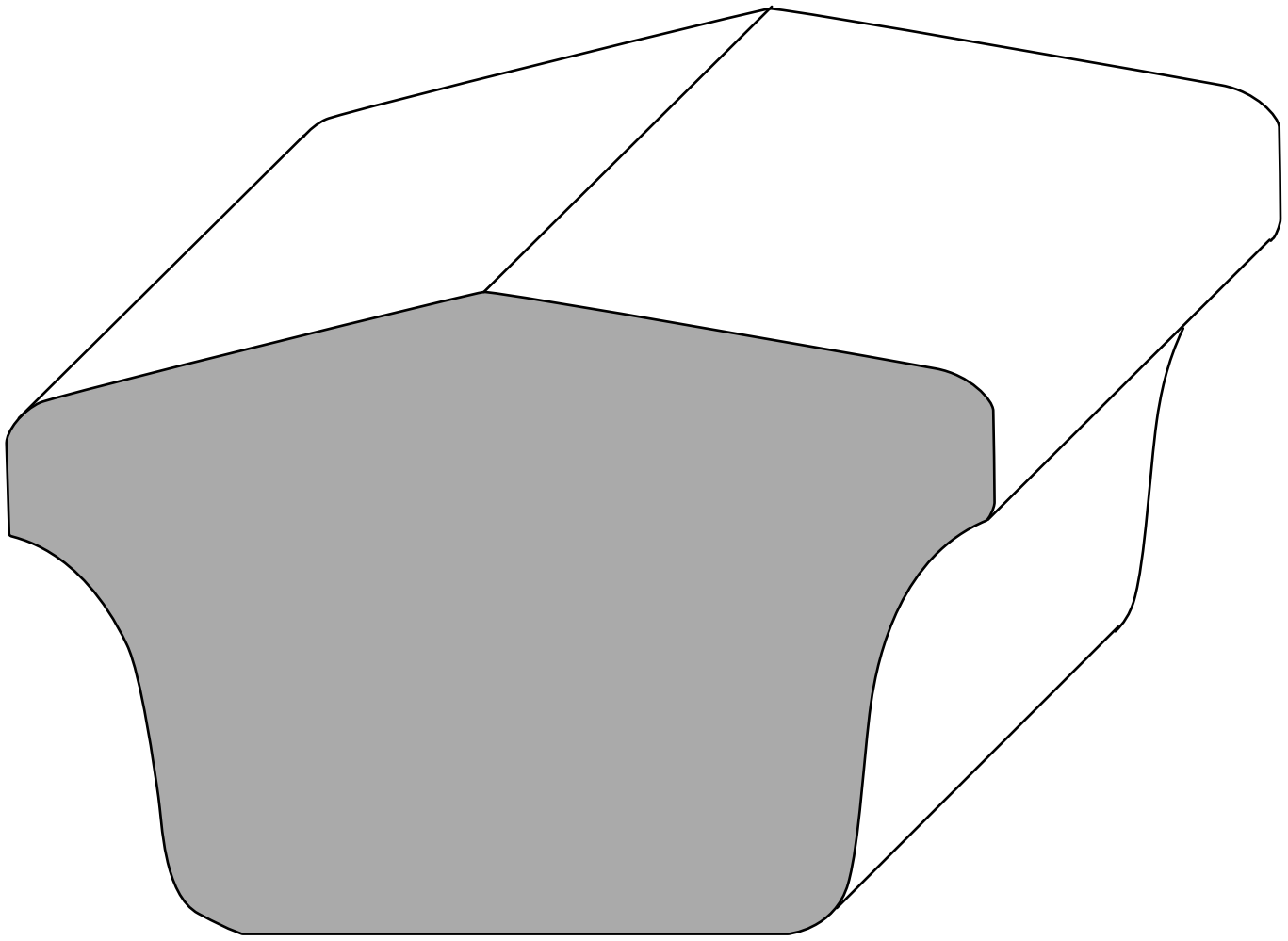


**205.**  $2 \frac{3}{16} \times 2 \frac{5}{16}$ "



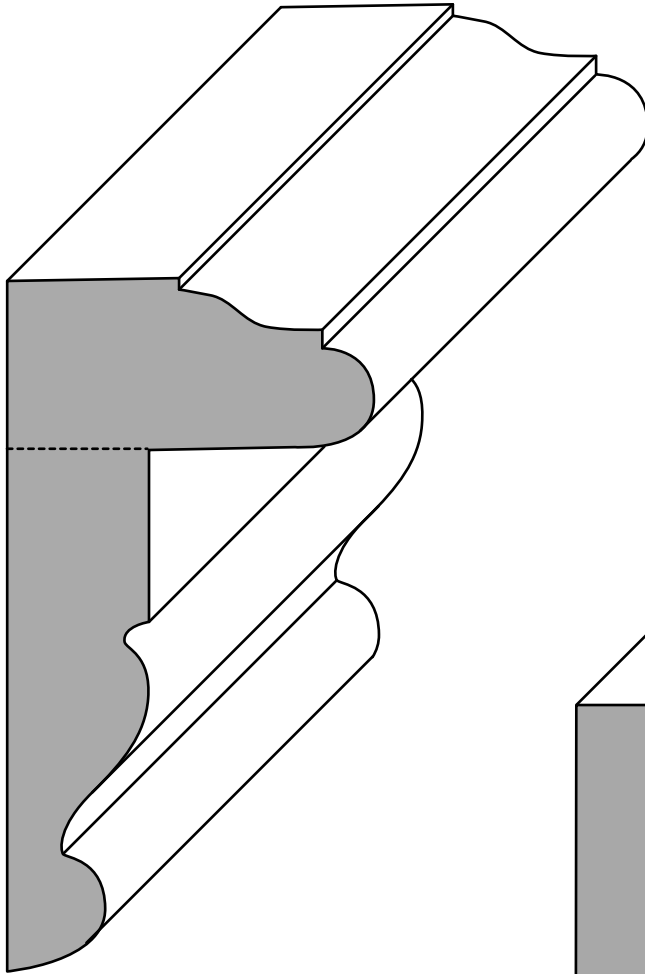
**210.**  $2 \frac{11}{16} \times 5 \frac{1}{2}$ "

**Note: Handrail with groove and filler piece available**

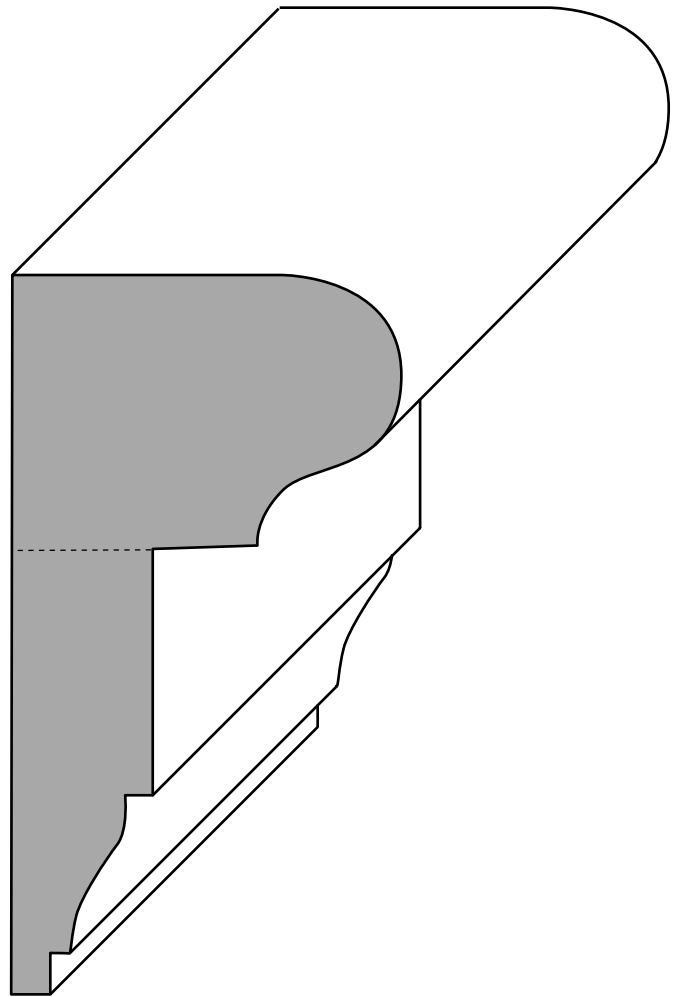


**2 1/2 x 5 1/2"**

**Note: Handrail with groove and filler piece available**



**140.** 2 x 3 5/8"



**141.** 2 x 3 3/4"

